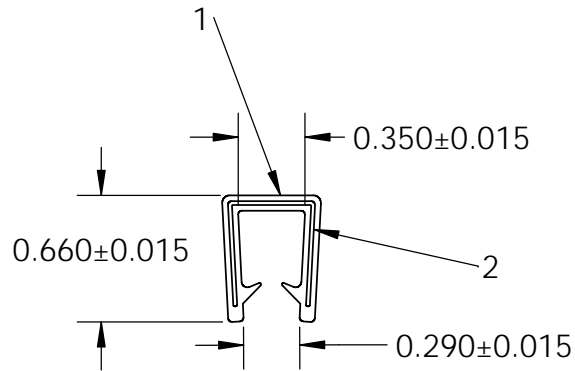
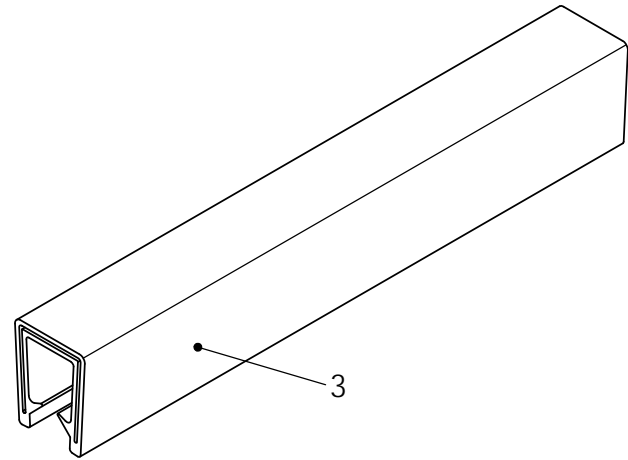


NOTES:

- 1) 80 DUROMETER PVC (1.370 G/CM³)
- 2) 1.400" STAMPED STEEL CARRIER (0.064 LB/FT)
- 3) LEATHER GRAIN TEXTURE



UNI-GRIP, INC.

9823 STATE ROUTE 53 N
UPPER SANDUSKY, OHIO 43351

PROPRIETARY AND CONFIDENTIAL: THE INFORMATION CONTAINED IN THIS DRAWING IS THE SOLE PROPERTY OF UNI-GRIP, INC. ANY REPRODUCTION IN PART OR AS A WHOLE WITHOUT THE WRITTEN PERMISSION OF UNI-GRIP, INC. IS PROHIBITED.	UNLESS OTHERWISE SPECIFIED:	TITLE:		
	DIMENSIONS ARE IN INCHES TOLERANCES PER ARPM CLASS 3	BD-1435		
	WEIGHT 0.140 LB/FT			
DOCUMENT CONTROL NUMBER UG-1-EN-001-FR-(111416)	ASTM D1056 N/A	SIZE A	DWG. NO. UG-1-ET-1400-FS-032	REV A
	ASTM D2000 N/A	DR. BY C.Vent	DATE 9/28/2017	SHEET 1 OF 1