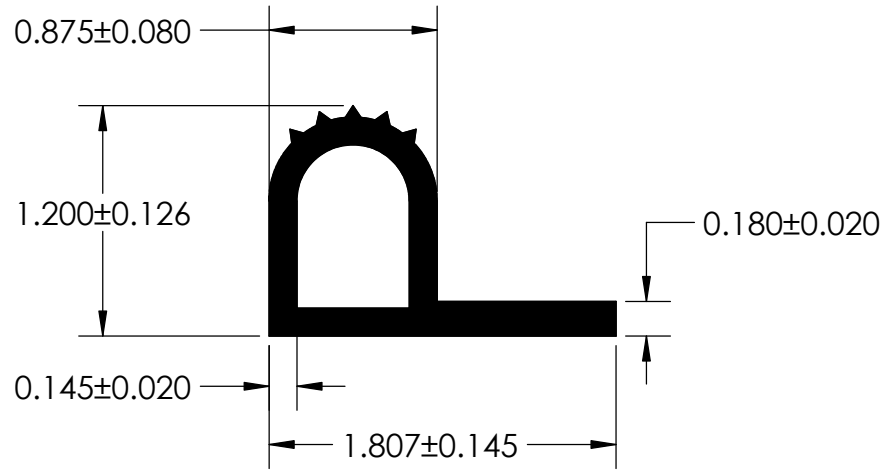
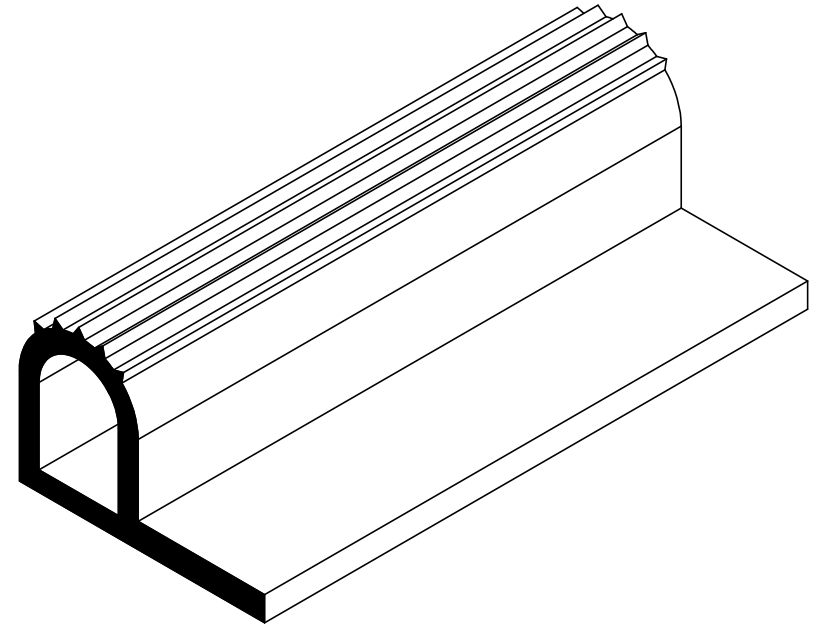


NOTES:

1) CLOSED CELL EPDM SPONGE RUBBER (0.380 G/CM³)



UNI-GRIP, INC.

9823 STATE ROUTE 53 N
UPPER SANDUSKY, OHIO 43351

REVISION BLOCK			
REV.	DATE	REVIEWED BY	CHANGES MADE
A			
B			
C			
D			
E			

PROPRIETARY AND CONFIDENTIAL:
THE INFORMATION CONTAINED IN THIS DRAWING IS THE SOLE PROPERTY OF UNI-GRIP, INC. ANY REPRODUCTION IN PART OR AS A WHOLE WITHOUT THE WRITTEN PERMISSION OF UNI-GRIP, INC. IS PROHIBITED.
DOCUMENT CONTROL NUMBER
UG-1-EN-001-FR-(103018)

UNLESS OTHERWISE SPECIFIED:
DIMENSIONS ARE IN INCHES
TOLERANCES PER ARPM CLASS 3
WEIGHT
0.110 LB/FT
ASTM D1056
2A4
ASTM D2000
N/A

TITLE:		BL-058	
SIZE	DWG. NO.	REV	
A	UG-1-BL-058		
DR. BY	C. VENT	DATE	11/21/2019
		SHEET 1 OF 1	