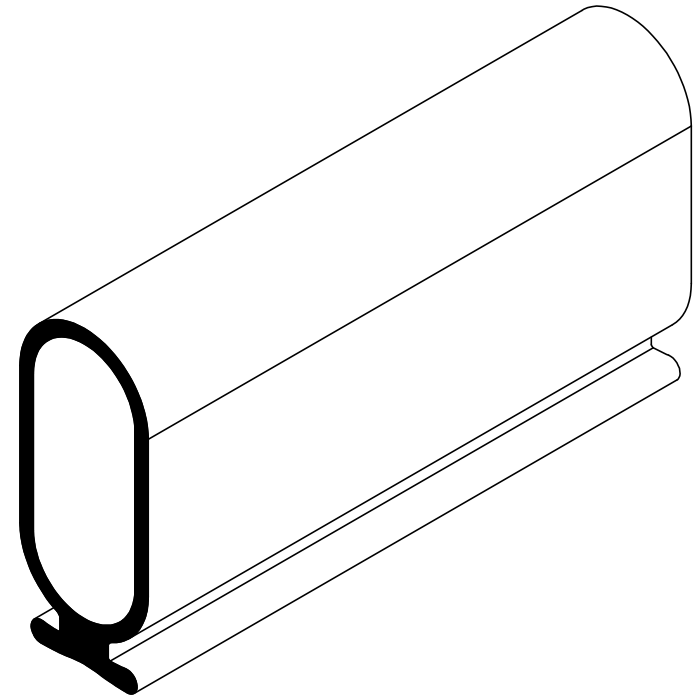
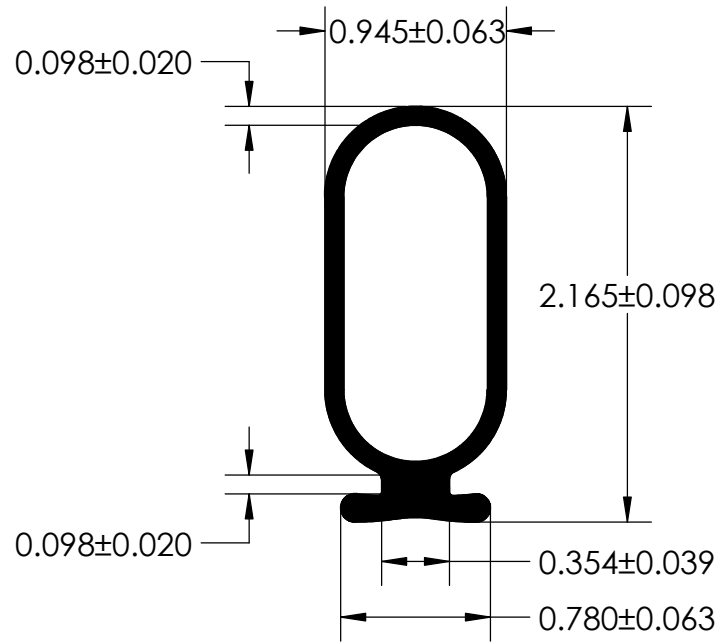


NOTES:

1) 60 DUROMETER EPDM DENSE RUBBER (1.165 G/CM³)



UNI-GRIP, INC.

9823 STATE ROUTE 53 N
UPPER SANDUSKY, OHIO 43351

REVISION BLOCK				PROPRIETARY AND CONFIDENTIAL:	UNLESS OTHERWISE SPECIFIED:	TITLE:				
REV.	DATE	R. By	CHANGES MADE	THE INFORMATION CONTAINED IN THIS DRAWING IS THE SOLE PROPERTY OF UNI-GRIP, INC. ANY REPRODUCTION IN PART OR AS A WHOLE WITHOUT THE WRITTEN PERMISSION OF UNI-GRIP, INC. IS PROHIBITED.	DIMENSIONS ARE IN INCHES TOLERANCES PER ARPM CLASS 3	BL-107				
A					WEIGHT 0.312 LB/FT					
B					ASTM D1056 N/A	SIZE A	DWG. NO.	REV		
C					DOCUMENT CONTROL NUMBER UG-1-EN-001-FR-(080918)	ASTM D2000 3BA711 A14 B13 C12 F17	UG-1-BL-107			
D										
E										
P:\Engineering\Prints\Master Prints\Bulb Seals\BL-107 UG-1-BL-107				SCALE:	1:1	DR. BY	C. VENT	DATE	9/28/2022	SHEET 1 OF 1