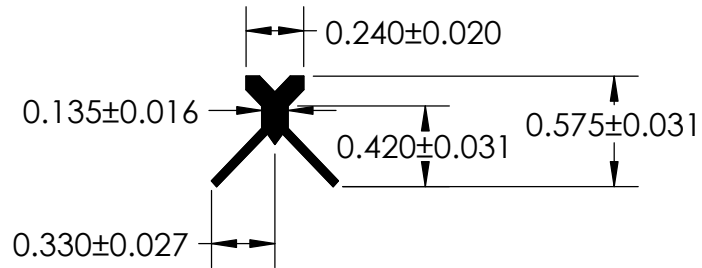
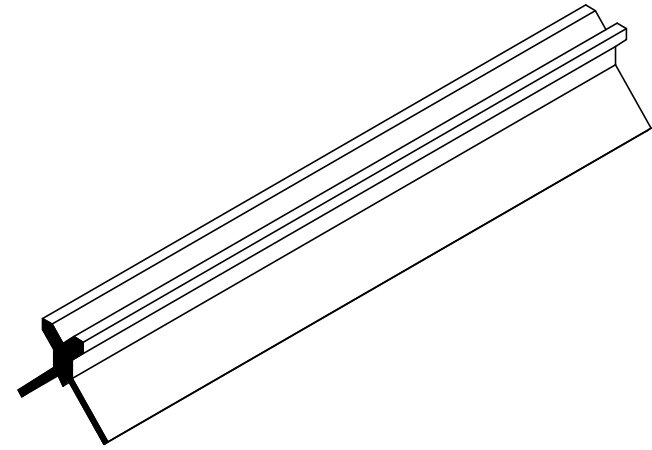


NOTES:

1) 70 DUROMETER EPDM DENSE RUBBER (1.200 G/CM³)



UNI-GRIP, INC.

9823 STATE ROUTE 53 N
UPPER SANDUSKY, OHIO 43351

PROPRIETARY AND CONFIDENTIAL: THE INFORMATION CONTAINED IN THIS DRAWING IS THE SOLE PROPERTY OF UNI-GRIP, INC. ANY REPRODUCTION IN PART OR AS A WHOLE WITHOUT THE WRITTEN PERMISSION OF UNI-GRIP, INC. IS PROHIBITED.	UNLESS OTHERWISE SPECIFIED: DIMENSIONS ARE IN INCHES TOLERANCES PER ARPM CLASS 3	TITLE: <p style="text-align: center;">DD-001</p>		
	WEIGHT <p style="text-align: center;">0.044 LB/FT</p> ASTM D1056 <p style="text-align: center;">N/A</p>	SIZE <p style="text-align: center;">A</p>	DWG. NO. <p style="text-align: center;">UG-1-RE-006</p>	REV <p style="text-align: center;">A</p>
DOCUMENT CONTROL NUMBER UG-1-EN-001-FR-(111416)	ASTM D2000 3BA711 A14 B13 C12 F17	DR. BY C. VENT	DATE 12/7/2017	SHEET 1 OF 1