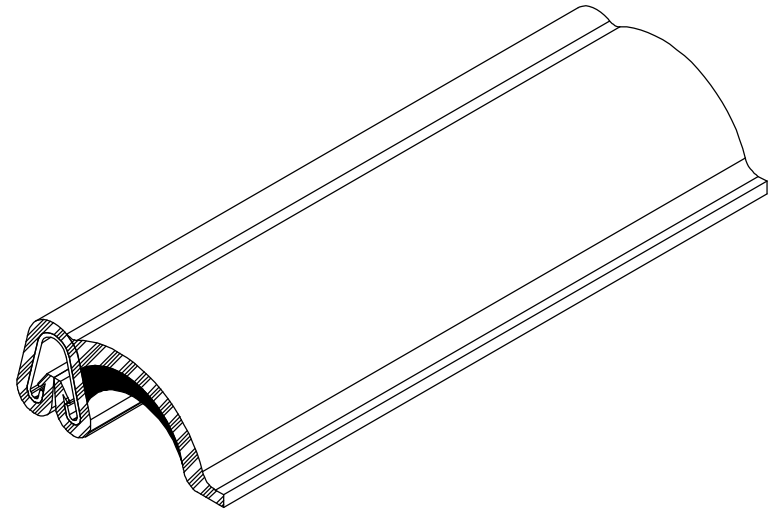
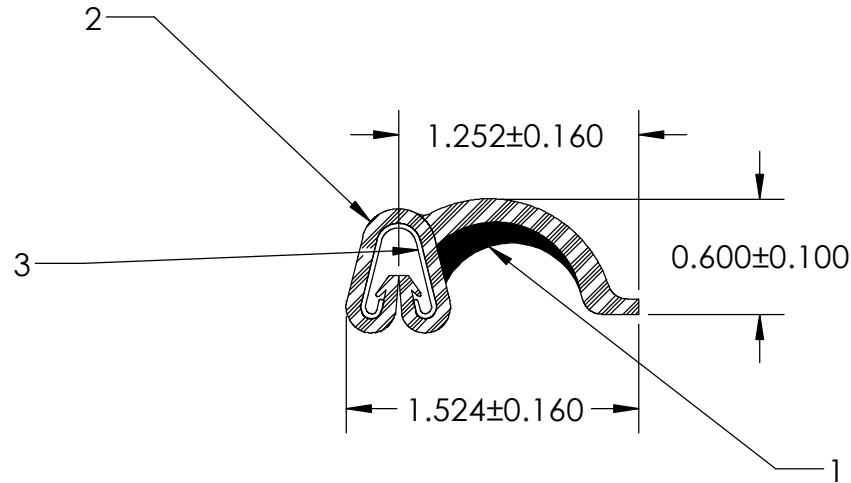


NOTES:

- 1) CLOSED CELL 70 DUROMETER DENSE RUBBER (DENSITY 1.219 G/CM³)
- 2) CLOSED CELL SPONGE RUBBER (DENSITY 0.536 G/CM³)
- 3) SD-487 SPRING STEEL (0.030 LB/FT)



UNI-GRIP, INC.

9823 STATE ROUTE 53 N
UPPER SANDUSKY, OHIO 43351

PROPRIETARY AND CONFIDENTIAL:	UNLESS OTHERWISE SPECIFIED:
THE INFORMATION CONTAINED IN THIS DRAWING IS THE SOLE PROPERTY OF UNI-GRIP, INC. ANY REPRODUCTION IN PART OR AS A WHOLE WITHOUT THE WRITTEN PERMISSION OF UNI-GRIP, INC. IS PROHIBITED.	DIMENSIONS ARE IN INCHES TOLERANCES PER ARPM CLASS 3
	WEIGHT 0.1465 LB/FT
	ASTM D1056 2A2
DOCUMENT CONTROL NUMBER UG-1-EN-001-FR-(111416)	ASTM D2000 N/A

TITLE: DU-004		
SIZE A	DWG. NO. UG-1-DU-487-ST-004	REV A