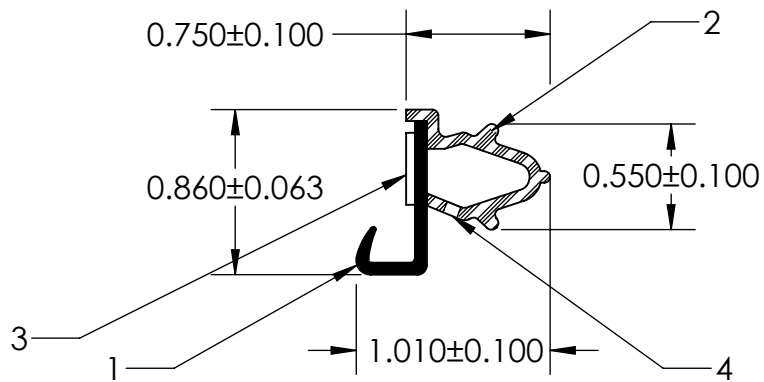
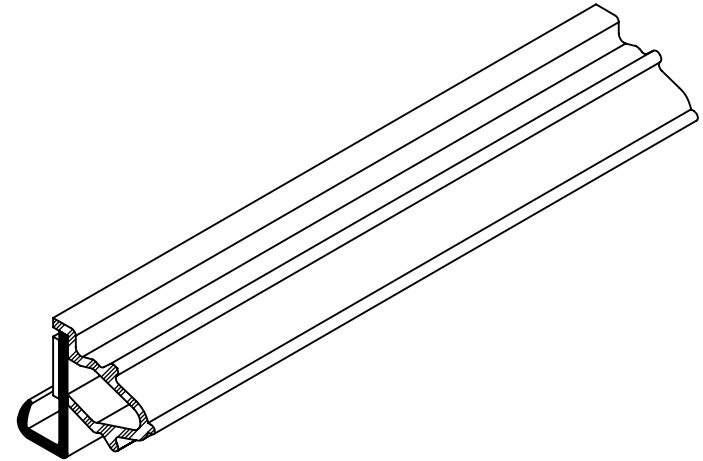


NOTES:

- 1) 70 DUROMETER EPDM DENSE RUBBER (1.200 G/CM<sup>3</sup>)
- 2) CLOSED CELL EPDM SPONGE RUBBER (0.700 G/CM)
- 3) 3/8" 3M ST-1200 HEAT ACTIVATED TAPE (0.006 LB/FT)
- 4) 1/8" VENT HOLE 6-10" SPACING



**UNI-GRIP, INC.**

9823 STATE ROUTE 53 N  
UPPER SANDUSKY, OHIO 43351

REVISION BLOCK				PROPRIETARY AND CONFIDENTIAL:	UNLESS OTHERWISE SPECIFIED:	TITLE:				
REV.	DATE	R. By	CHANGES MADE	THE INFORMATION CONTAINED IN THIS DRAWING IS THE SOLE PROPERTY OF UNI-GRIP, INC. ANY REPRODUCTION IN PART OR AS A WHOLE WITHOUT THE WRITTEN PERMISSION OF UNI-GRIP, INC. IS PROHIBITED.	DIMENSIONS ARE IN INCHES TOLERANCES PER ARPM CLASS 3	DU-021				
A	2/3/21	C.V.	CHANGED THE J HOOK FOR CUSTOMER							
B					WEIGHT	0.079 LB/FT				
C					ASTM D1056	2A4				
D					DOCUMENT CONTROL NUMBER	ASTM D2000	SIZE	DWG. NO.	REV	
E				UG-1-EN-001-FR-(080918)	3BA711 A14 B13 C12 F17	<b>A</b>	UG-1-DU-375-TP-021	<b>A</b>		
P:\Engineering\Prints\Master Prints\Dual Durometer\DU-021 UG-1-DU-375-TP-021				SCALE:	1:1	DR. BY	C. VENT	DATE	2/3/2021	SHEET 1 OF 1