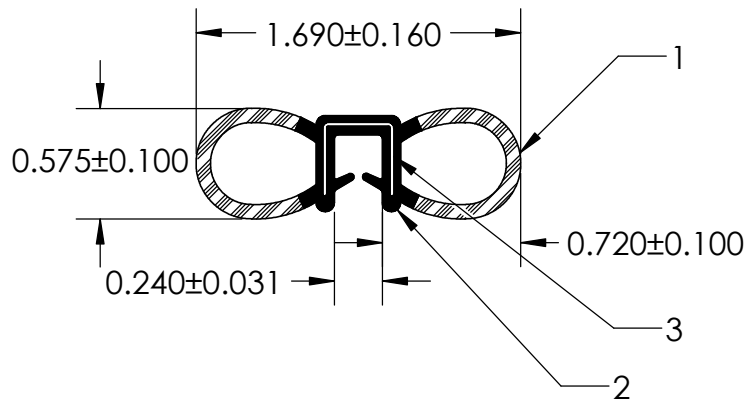
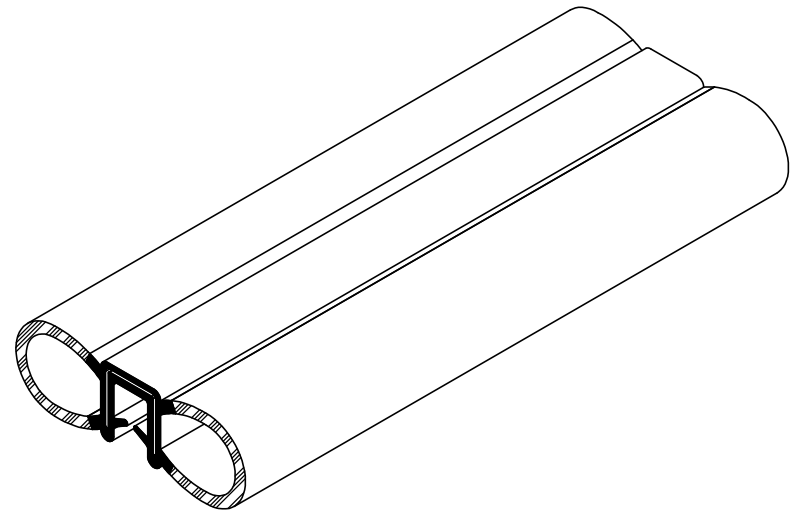


NOTES:

- 1) CLOSED CELL EPDM SPONGE RUBBER (0.680 G/CM³)
- 2) 70 DUROMETER EPDM DENSE RUBBER (1.200 G/CM³)
- 3) 1.120" WIRE CARRIER (0.024 LB/FT)



CUSTOMER APPROVAL

SIGNATURE: _____

DATE: _____



UNI-GRIP, INC.

9823 STATE ROUTE 53 N
UPPER SANDUSKY, OHIO 43351

PROPRIETARY AND CONFIDENTIAL: THE INFORMATION CONTAINED IN THIS DRAWING IS THE SOLE PROPERTY OF UNI-GRIP, INC. ANY REPRODUCTION IN PART OR AS A WHOLE WITHOUT THE WRITTEN PERMISSION OF UNI-GRIP, INC. IS PROHIBITED.	UNLESS OTHERWISE SPECIFIED: DIMENSIONS ARE IN INCHES TOLERANCES PER ARPM CLASS 3	TITLE:			
	WEIGHT 0.154 LB/FT	DU-027			
	ASTM D1056 2A3				
DOCUMENT CONTROL NUMBER UG-1-EN-001-FR-(111416)	ASTM D2000 3BA711 A14 B13 C12 F17	SIZE A	DWG. NO. UG-1-DU-1120-WR-027	REV A	
P:\Engineering\Prints\Dual Durometer\DU-027 UG-1-DU-1120-WR-027		SCALE: 1:1	DR. BY L. CLARK	DATE 9/11/2017	SHEET 1 OF 1