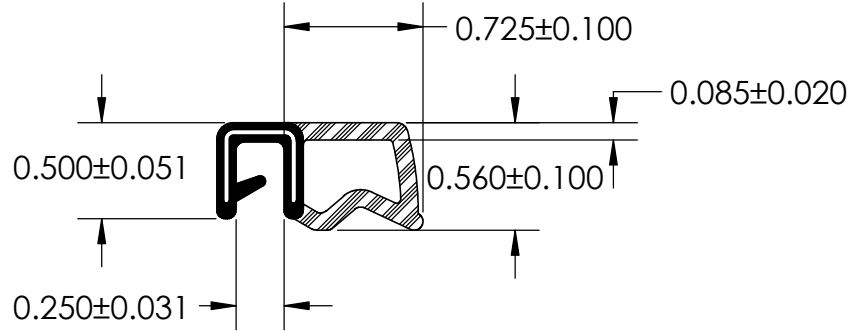
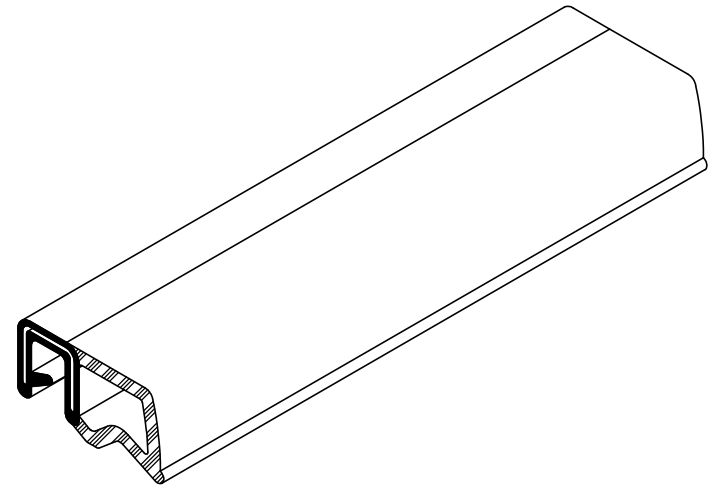


NOTES:

- 1) 70 DUROMETER EPDM DENSE RUBBER (1.200 G/CM<sup>3</sup>)
- 2) CLOSED CELL EPDM SPONGE RUBBER (0.650 G/CM<sup>3</sup>)
- 3) 1.000" WIRE CARRIER (0.021 LB/FT)



**UNI-GRIP, INC.**  
 9823 STATE ROUTE 53 N  
 UPPER SANDUSKY, OHIO 43351

<p>PROPRIETARY AND CONFIDENTIAL:</p> <p>THE INFORMATION CONTAINED IN THIS DRAWING IS THE SOLE PROPERTY OF UNI-GRIP, INC. ANY REPRODUCTION IN PART OR AS A WHOLE WITHOUT THE WRITTEN PERMISSION OF UNI-GRIP, INC. IS PROHIBITED.</p> <p>DOCUMENT CONTROL NUMBER          UG-1-EN-001-FR-(111416)</p>	<p>UNLESS OTHERWISE SPECIFIED:</p> <p>DIMENSIONS ARE IN INCHES          TOLERANCES PER ARPM CLASS 3</p> <p>WEIGHT          0.107 LB/FT</p> <p>ASTM D1056          2A3</p> <p>ASTM D2000          3BA711 A14 B13 C12 F17</p>	<p>TITLE:</p> <p style="text-align: center; font-size: 1.2em;">DU-038</p>	
		<div style="width: 30%;"> <p>SIZE <b>A</b></p> </div> <div style="width: 40%;"> <p>DWG. NO. UG-1-DU-1000-WR-038</p> </div> <div style="width: 30%;"> <p>REV <b>B</b></p> </div>	
<p>P:\Engineering\Prints\Dual Durometer\DU-038 UG-1-DU-1000-WR-038</p>		<p>SCALE: 1:1</p>	<p>DR. BY L. CLARK      DATE 01/08/2018      SHEET 1 OF 1</p>