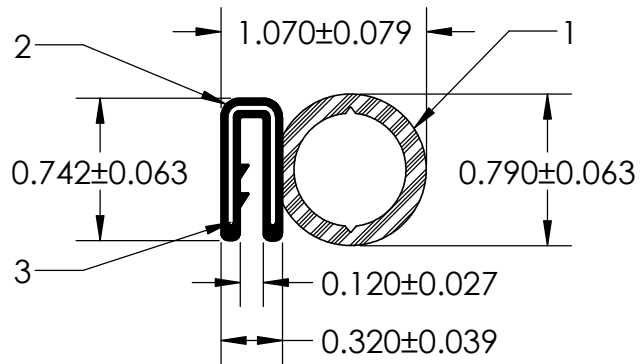
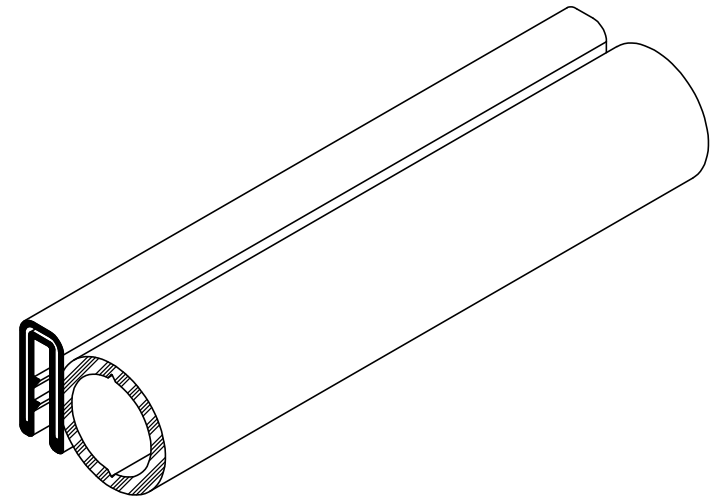


NOTES:

- 1) COLSED CELL EPDM SPONGE RUBBER (0.725 G/CM³)
- 2) 70 DUROMETER EPDM DENSE RUBBER (1.200 G/CM³)
- 3) 1.430" WIRE CARRIER (0.033 LB/FT)



UNI-GRIP, INC.

9823 STATE ROUTE 53 N
UPPER SANDUSKY, OHIO 43351

PROPRIETARY AND CONFIDENTIAL: THE INFORMATION CONTAINED IN THIS DRAWING IS THE SOLE PROPERTY OF UNI-GRIP, INC. ANY REPRODUCTION IN PART OR AS A WHOLE WITHOUT THE WRITTEN PERMISSION OF UNI-GRIP, INC. IS PROHIBITED.	UNLESS OTHERWISE SPECIFIED: DIMENSIONS ARE IN INCHES TOLERANCES PER ARPM CLASS 3	TITLE: <h2 style="text-align: center;">DU-068</h2>		
	WEIGHT <h3 style="text-align: center;">0.181 LB/FT</h3>	SIZE <h2 style="text-align: center;">A</h2>	DWG. NO. UG-1-DU-1400-WR-068	REV <h2 style="text-align: center;">A</h2>
	DOCUMENT CONTROL NUMBER UG-1-EN-001-FR-(111416)	ASTM D2000 3BA711 A14 B13 C12 F17	DR. BY C. VENT	DATE 3/15/2018