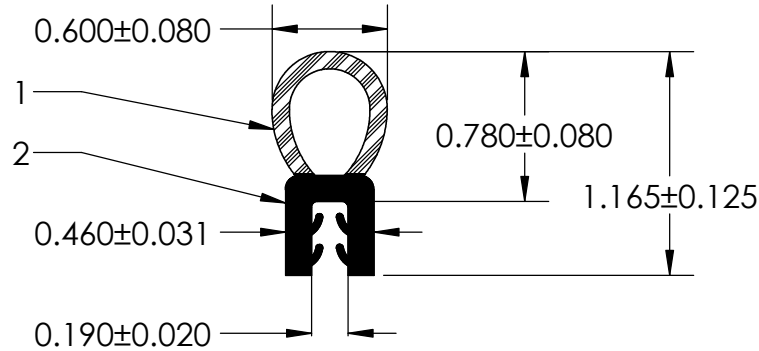
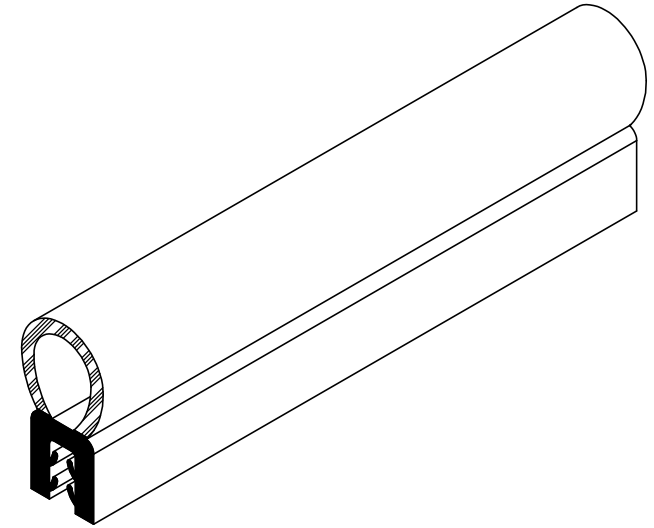


NOTES:

- 1) CLOSED CELL EPDM SPONGE RUBBER (0.725 G/CM<sup>3</sup>)
- 2) 70 DUROMETER EPDM DENSE RUBBER (1.200 G/CM<sup>3</sup>)



**UNI-GRIP, INC.**

9823 STATE ROUTE 53 N  
UPPER SANDUSKY, OHIO 43351

PROPRIETARY AND CONFIDENTIAL:	UNLESS OTHERWISE SPECIFIED:
THE INFORMATION CONTAINED IN THIS DRAWING IS THE SOLE PROPERTY OF UNI-GRIP, INC. ANY REPRODUCTION IN PART OR AS A WHOLE WITHOUT THE WRITTEN PERMISSION OF UNI-GRIP, INC. IS PROHIBITED.	DIMENSIONS ARE IN INCHES TOLERANCES PER ARPM CLASS 3
	WEIGHT <b>0.124 LB/FT</b>
	ASTM D1056 <b>2A5</b>
DOCUMENT CONTROL NUMBER <b>UG-1-EN-001-FR-(111416)</b>	ASTM D2000 <b>3BA711 A14 B13 C12 F17</b>

TITLE:		<b>DU-072</b>	
SIZE <b>A</b>	DWG. NO. <b>UG-1-DU-072</b>	REV <b>A</b>	