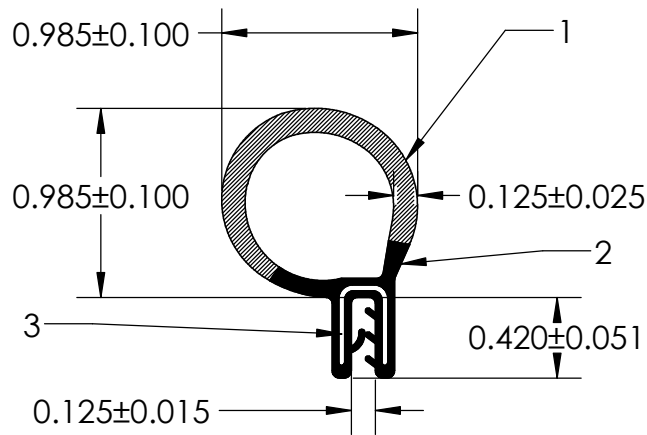
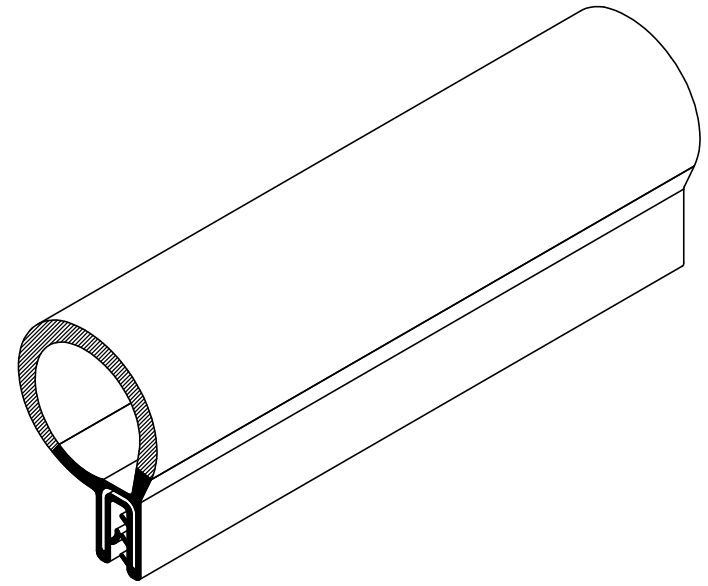


NOTES:

- 1) CLOSED CELL EPDM SPONGE RUBBER (0.750 G/CM<sup>3</sup>)
- 2) 70 DUROMETER EPDM DENSE RUBBER (1.200 G/CM<sup>3</sup>)
- 3) 1.000" WIRE CARRIER (0.021 LB/FT)



**UNI-GRIP, INC.**

9823 STATE ROUTE 53 N  
UPPER SANDUSKY, OHIO 43351

|  |  |   |  |   |
|--|--|---|--|---|
| PROPRIETARY AND CONFIDENTIAL:<br><br>THE INFORMATION CONTAINED IN THIS DRAWING IS THE SOLE PROPERTY OF UNI-GRIP, INC. ANY REPRODUCTION IN PART OR AS A WHOLE WITHOUT THE WRITTEN PERMISSION OF UNI-GRIP, INC. IS PROHIBITED. | UNLESS OTHERWISE SPECIFIED:<br><br>DIMENSIONS ARE IN INCHES<br>TOLERANCES PER ARPM CLASS 3 | TITLE:<br><br><h2 style="text-align: center;">DU-074</h2> |  |   |
|  | WEIGHT<br><h3 style="text-align: center;">0.188 LB/FT</h3>                                 | SIZE<br><h2 style="text-align: center;">A</h2>            | DWG. NO.<br><h3 style="text-align: center;">UG-1-DU-1000-WR-074</h3> | REV<br><h2 style="text-align: center;">A</h2> |
|  | DOCUMENT CONTROL NUMBER<br><b>UG-1-EN-001-FR-(111416)</b>                                  | ASTM D2000<br><b>3BA711 A14 B13 C12 F17</b>               | DR. BY<br><b>C. VENT</b>   | DATE<br><b>6/13/2018</b>                      |