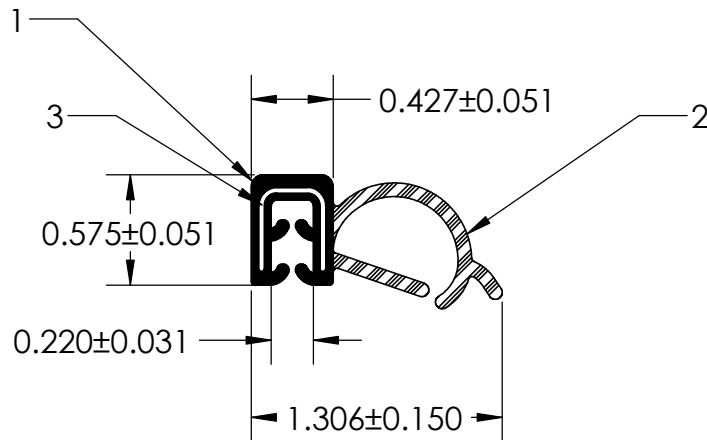
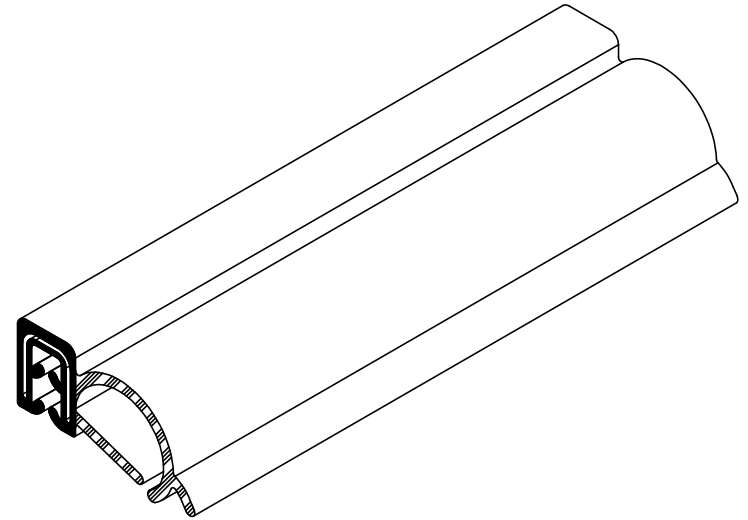


NOTES:

- 1) 70 DUROMETER EPDM DENSE RUBBER (1.200 G/CM³)
- 2) CLOSED CELL EPDM SPONGE RUBBER (0.700 G/CM³)
- 3) 1.120" WIRE CARRIER (0.024 LB/FT)



UNI-GRIP, INC.

9823 STATE ROUTE 53 N
UPPER SANDUSKY, OHIO 43351

REVISION BLOCK				PROPRIETARY AND CONFIDENTIAL:	UNLESS OTHERWISE SPECIFIED:	TITLE:				
REV.	DATE	R. By	CHANGES MADE	THE INFORMATION CONTAINED IN THIS DRAWING IS THE SOLE PROPERTY OF UNI-GRIP, INC. ANY REPRODUCTION IN PART OR AS A WHOLE WITHOUT THE WRITTEN PERMISSION OF UNI-GRIP, INC. IS PROHIBITED.	DIMENSIONS ARE IN INCHES TOLERANCES PER ARPM CLASS 3	DU-178				
A										
B					WEIGHT	SIZE				
C					0.157 LB/FT				A	DWG. NO.
D					ASTM D1056	UG-1-DU-1120-WR-178		REV		
E				2A4						
DOCUMENT CONTROL NUMBER				ASTM D2000						
UG-1-EN-001-FR-(080918)				3BA711 A14 B13 C12 F17						
P:\Engineering\Prints\Master Prints\Dual Durometer\DU-178 UG-1-DU-1120-WR-178				SCALE:	1:1	DR. BY	C. VENT	DATE	4/21/2022	SHEET 1 OF 1