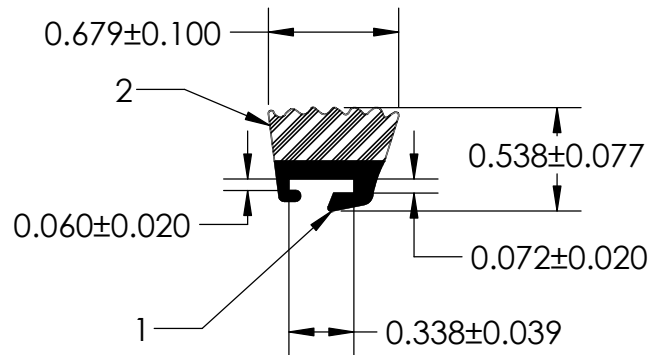
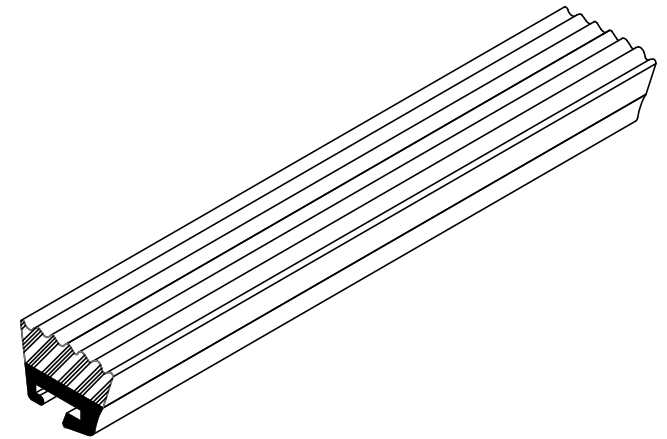


NOTES:

1) 70 DUROMETER EPDM DENSE RUBBER (1.200 G/CM³)

2) CLOSED CELL EPDM SPONGE RUBBER (0.450 G/CM³)



UNI-GRIP, INC.

9823 STATE ROUTE 53 N
UPPER SANDUSKY, OHIO 43351

| REVISION BLOCK | | | | PROPRIETARY AND CONFIDENTIAL: | UNLESS OTHERWISE SPECIFIED: | TITLE: | | |
|-----------------------------------------------------------------------|------|----|--------------|-----------------------------------------------------------------------------------------------------------------------------------------------------------------------------------------|----------------------------------------------------|--------------------------------------|-------------------------|-----|
| REV. | DATE | By | CHANGES MADE | THE INFORMATION CONTAINED IN THIS DRAWING IS THE SOLE PROPERTY OF UNI-GRIP, INC. ANY REPRODUCTION IN PART OR AS A WHOLE WITHOUT THE WRITTEN PERMISSION OF UNI-GRIP, INC. IS PROHIBITED. | DIMENSIONS ARE IN INCHES | DU-196 | | |
| A | | | | | WEIGHT 0.079 LB/FT | | | |
| B | | | | | ASTM D1056 2A4 | SIZE A | DWG. NO. UG-1-DU-196 | REV |
| C | | | | | DOCUMENT CONTROL NUMBER UG-1-EN-001-FR-(030123) | ASTM D2000 3BA711 A14 B13 C12 F17 | | |
| D | | | | | | | | |
| E | | | | | | | | |
| P:\Engineering\Prints\Master Prints\Dual Durometer\DU-196 UG-1-DU-196 | | | | SCALE: 1:1 | DR. BY C. VENT | DATE 11/3/2023 | SHEET 1 OF 1 | |