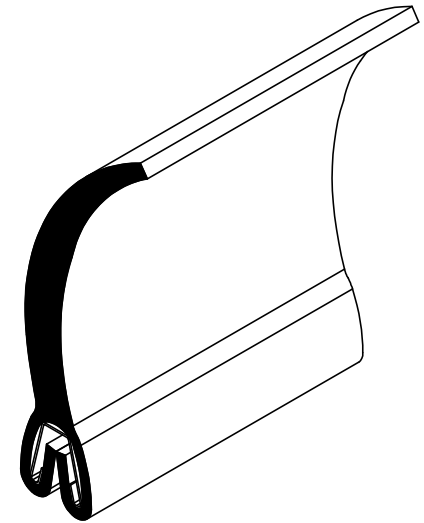
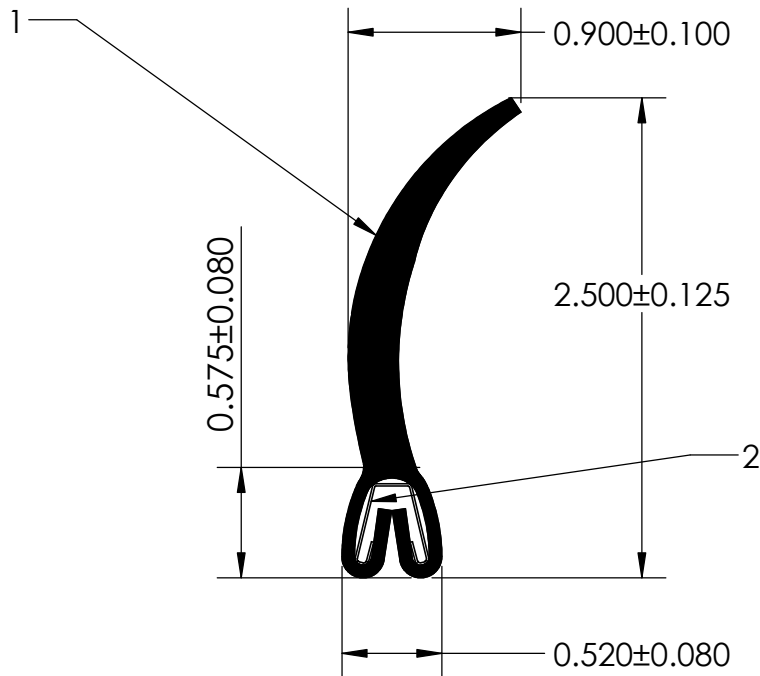


NOTES:

- 1) CLOSED CELL EPDM SPONGE RUBBER (0.750 LB/FT)
- 2) SD-381 SPRING STEEL CARRIER (0.032 LB/FT)



**UNI-GRIP, INC.**

9823 STATE ROUTE 53 N  
UPPER SANDUSKY, OHIO 43351

REVISION BLOCK				PROPRIETARY AND CONFIDENTIAL:	UNLESS OTHERWISE SPECIFIED:	TITLE:			
REV.	DATE	REVIEWED BY	CHANGES MADE	THE INFORMATION CONTAINED IN THIS DRAWING IS THE SOLE PROPERTY OF UNI-GRIP, INC. ANY REPRODUCTION IN PART OR AS A WHOLE WITHOUT THE WRITTEN PERMISSION OF UNI-GRIP, INC. IS PROHIBITED.	DIMENSIONS ARE IN INCHES TOLERANCES PER ARPM CLASS 3	ED-5360			
A	11/11/19	G.S.	UPDATED NOMINAL 2.500"						
B					WEIGHT	0.153 LB/FT			
C					ASTM D1056	2A4	SIZE	DWG. NO.	REV
D					DOCUMENT CONTROL NUMBER	ASTM D2000	<b>A</b>	UG-1-FL-381-ST-046	<b>A</b>
E				UG-1-EN-001-FR-(103018)	N/A	DR. BY	C. VENT	DATE	
P:\Engineering\Prints\Flap Seals\ED5360 UG-1-FL-381-ST-046				SCALE:	1:1	DATE	11/11/2019	SHEET 1 OF 1	