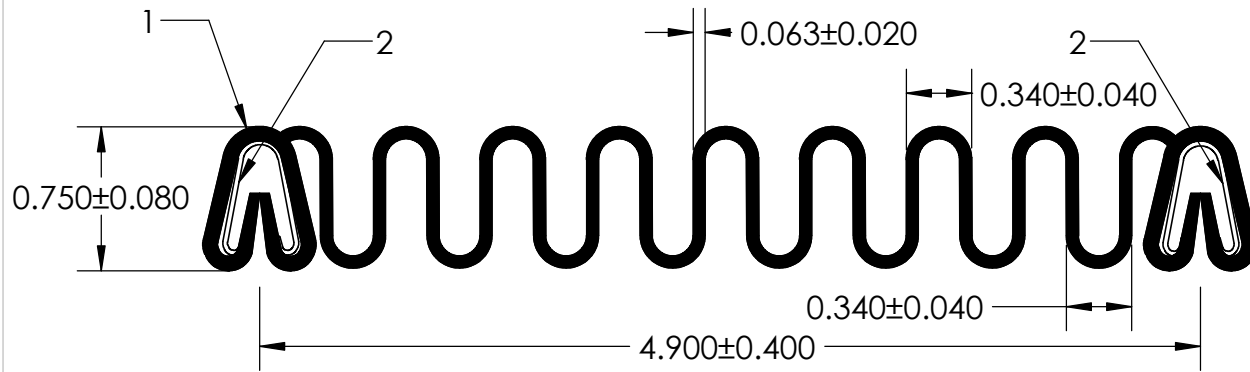
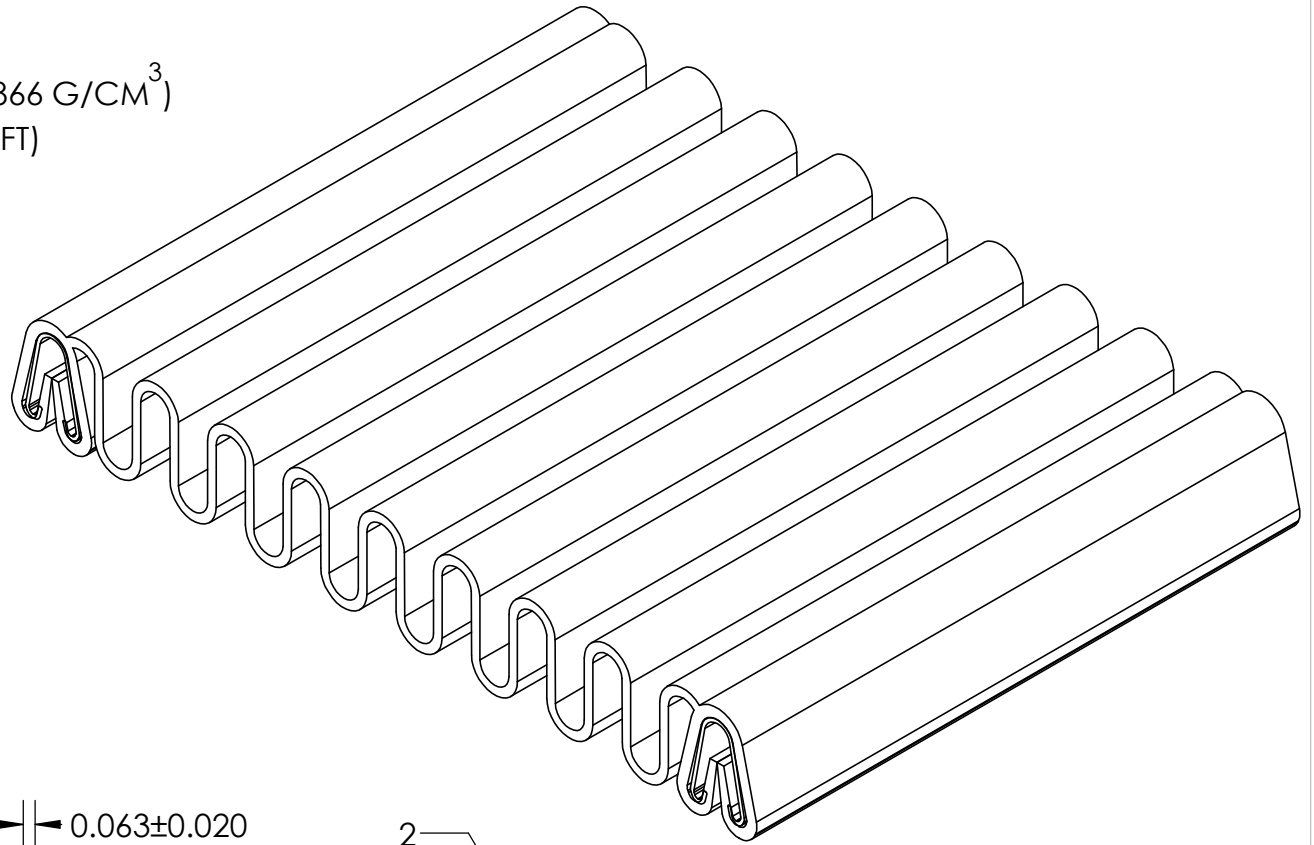


NOTES:

- 1) CLOSED CELL EPDM SPONGE RUBBER (0.866 G/CM³)
- 2) SD-500L SPRING STEEL CARRIER (0.035 LB/FT)



UNI-GRIP, INC.

9823 STATE ROUTE 53 N
UPPER SANDUSKY, OHIO 43351

TITLE:

ED-5393

PROPRIETARY AND CONFIDENTIAL:

THE INFORMATION CONTAINED IN THIS DRAWING IS THE SOLE PROPERTY OF UNI-GRIP, INC. ANY REPRODUCTION IN PART OR AS A WHOLE WITHOUT THE WRITTEN PERMISSION OF UNI-GRIP, INC. IS PROHIBITED.

DOCUMENT CONTROL NUMBER
UG-1-EN-001-FR-(111416)

UNLESS OTHERWISE SPECIFIED:

DIMENSIONS ARE IN INCHES
TOLERANCES PER ARPM CLASS 3

WEIGHT
0.587 LB/FT

ASTM D1056
2A5

ASTM D2000
N/A

SIZE
A

DWG. NO.
UG-1-AC-500-ST-010

REV
A