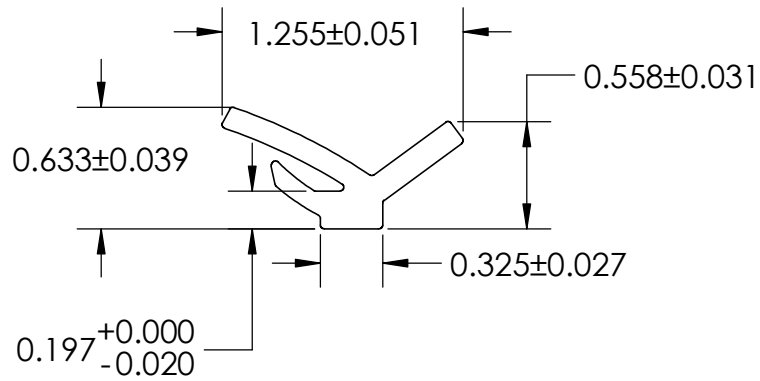
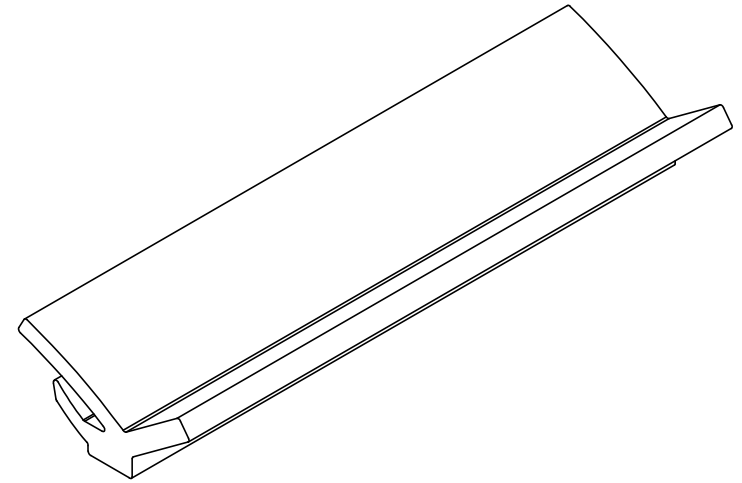


NOTES:

1) MATERIAL: 50, 60, OR 70 DUROMETER EPDM DENSE RUBBER



**UNI-GRIP, INC.**

9823 STATE ROUTE 53 N  
UPPER SANDUSKY, OHIO 43351

PROPRIETARY AND CONFIDENTIAL:  THE INFORMATION CONTAINED IN THIS DRAWING IS THE SOLE PROPERTY OF UNI-GRIP, INC. ANY REPRODUCTION IN PART OR AS A WHOLE WITHOUT THE WRITTEN PERMISSION OF UNI-GRIP, INC. IS PROHIBITED.	UNLESS OTHERWISE SPECIFIED:  DIMENSIONS ARE IN INCHES TOLERANCES PER ARPM CLASS 3	TITLE:		FL-029			
	WEIGHT 0.137 LB/FT  ASTM D1056 N/A	SIZE	DWG. NO.		REV		
	DOCUMENT CONTROL NUMBER UG-1-EN-001-FR-(111416)	ASTM D2000 3BA711 A14 B13 C12 F17	<b>A</b>		UG-1-FL-029	<b>A</b>	
SCALE: 1:1		DR. BY	L. CLARK	DATE	10/18/2017	SHEET	1 OF 1