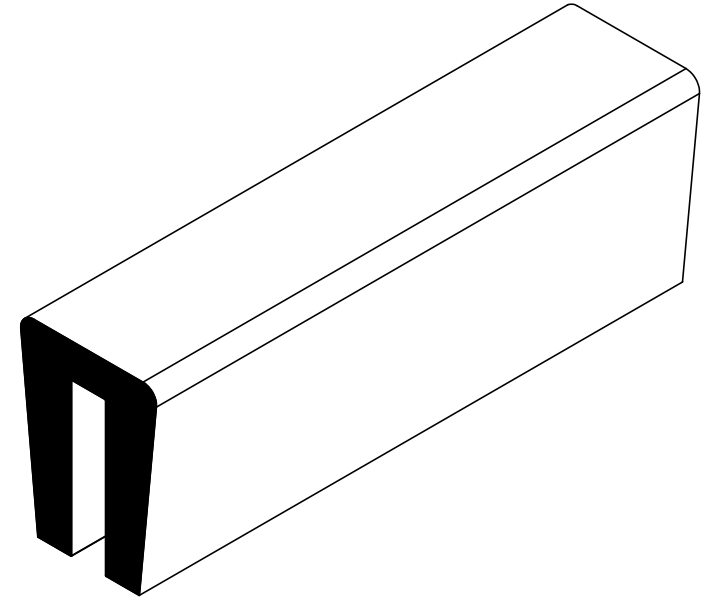
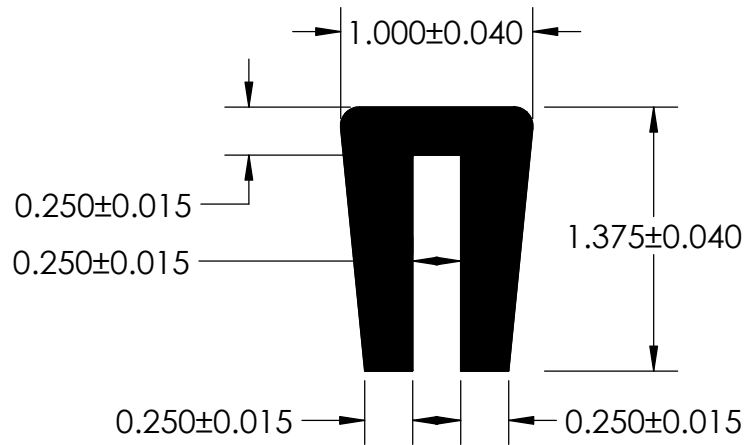


NOTES:

1) 80 DUROMETER BLACK PVC (1.370 G/CM<sup>3</sup>)



**UNI-GRIP, INC.**

9823 STATE ROUTE 53 N  
UPPER SANDUSKY, OHIO 43351

REVISION BLOCK				PROPRIETARY AND CONFIDENTIAL:	UNLESS OTHERWISE SPECIFIED:	TITLE:		
REV.	DATE	REVIEWED BY	CHANGES MADE	THE INFORMATION CONTAINED IN THIS DRAWING IS THE SOLE PROPERTY OF UNI-GRIP, INC. ANY REPRODUCTION IN PART OR AS A WHOLE WITHOUT THE WRITTEN PERMISSION OF UNI-GRIP, INC. IS PROHIBITED.	DIMENSIONS ARE IN INCHES TOLERANCES PER ARPM CLASS 3	PC-142		
A								
B					WEIGHT	0.553 LB/FT		
C					ASTM D1056	N/A		
D					ASTM D2000	N/A		
E				DOCUMENT CONTROL NUMBER UG-1-EN-001-FR-(103018)	SIZE	DWG. NO.	REV	
P:\Engineering\Prints\Plastic Extrusion\PC-142 UG-1-PE-005				SCALE:	1:1	<b>A</b>	UG-1-PE-005	<b>A</b>
				DR. BY	C. VENT	DATE	2/4/2020	SHEET 1 OF 1