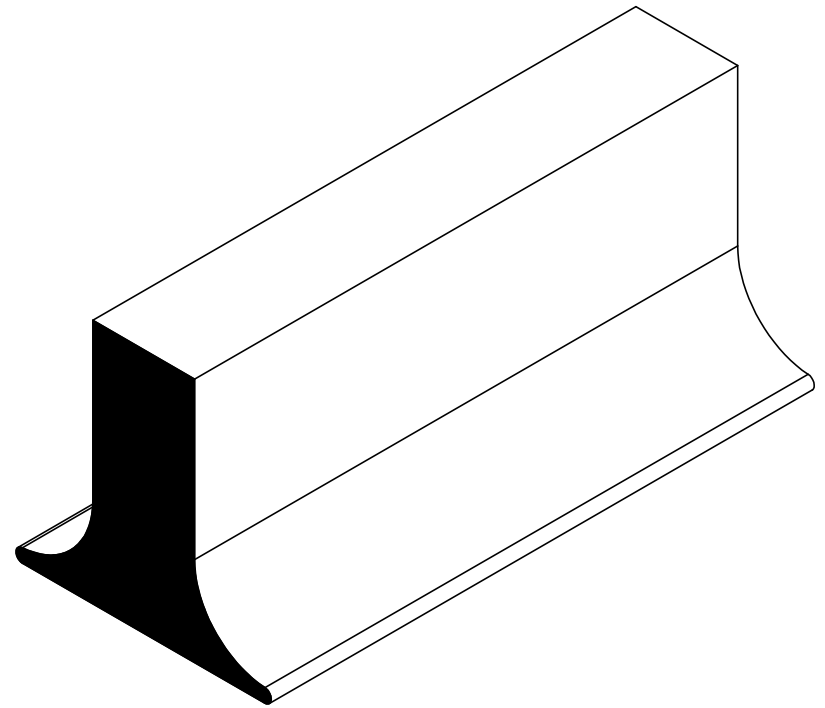
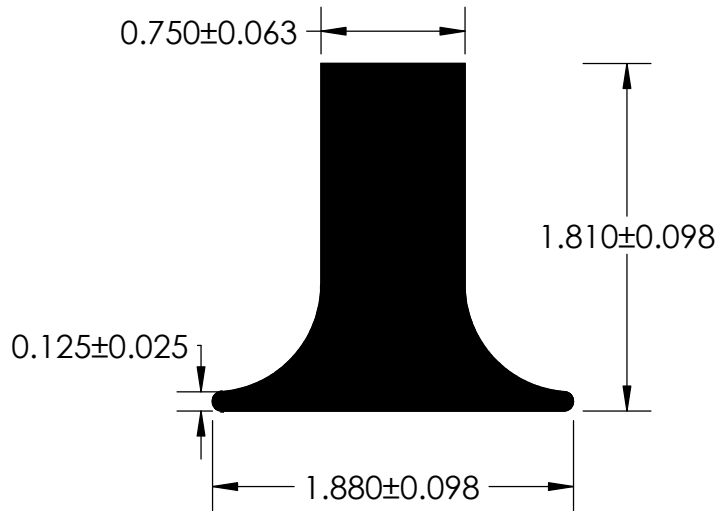


NOTES:

1) CLOSED CELL EPDM SPONGE RUBBER (0.550 G/CM<sup>3</sup>)



**UNI-GRIP, INC.**

9823 STATE ROUTE 53 N  
UPPER SANDUSKY, OHIO 43351

REVISION BLOCK				PROPRIETARY AND CONFIDENTIAL:	UNLESS OTHERWISE SPECIFIED:	TITLE:				
REV.	DATE	REVEIUED BY	CHANGES MADE	THE INFORMATION CONTAINED IN THIS DRAWING IS THE SOLE PROPERTY OF UNI-GRIP, INC. ANY REPRODUCTION IN PART OR AS A WHOLE WITHOUT THE WRITTEN PERMISSION OF UNI-GRIP, INC. IS PROHIBITED.	DIMENSIONS ARE IN INCHES TOLERANCES PER ARPM CLASS 3	RE-032				
A										
B					WEIGHT	0.325 LB/FT				
C					ASTM D1056	2A5	SIZE	DWG. NO.	REV	
D					DOCUMENT CONTROL NUMBER	ASTM D2000	<b>A</b>	UG-1-RE-032	<b>A</b>	
E				UG-1-EN-001-FR-(080918)	N/A					
P:\Engineering\Prints\Rubber Extrusion\RE-032 UG-1-RE-032				SCALE:	1:1	DR. BY	C. VENT	DATE	11/28/2018	SHEET 1 OF 1