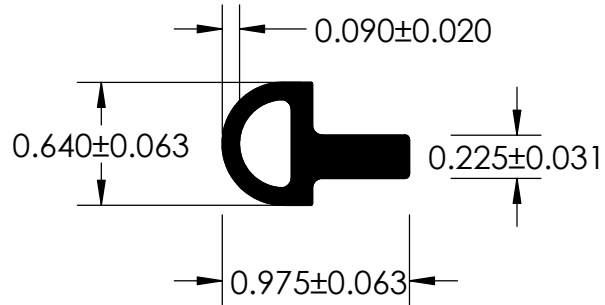
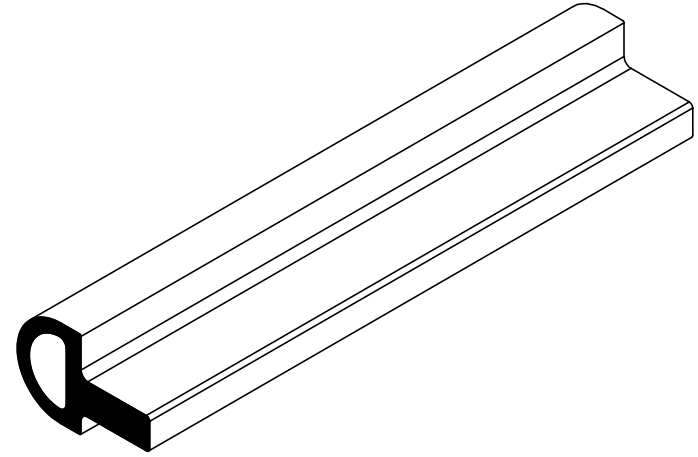


NOTES:

1) 60 DUROMETER EPDM DENSE RUBBER (1.165 G/CM³)



UNI-GRIP, INC.

9823 STATE ROUTE 53 N
UPPER SANDUSKY, OHIO 43351

REVISION BLOCK				PROPRIETARY AND CONFIDENTIAL:	UNLESS OTHERWISE SPECIFIED:	TITLE:				
REV.	DATE	REVIEWED BY	CHANGES MADE	THE INFORMATION CONTAINED IN THIS DRAWING IS THE SOLE PROPERTY OF UNI-GRIP, INC. ANY REPRODUCTION IN PART OR AS A WHOLE WITHOUT THE WRITTEN PERMISSION OF UNI-GRIP, INC. IS PROHIBITED.	DIMENSIONS ARE IN INCHES TOLERANCES PER ARPM CLASS 3	RE-035				
A										
B					WEIGHT	DWG. NO.				
C					0.142 LB/FT					
D					ASTM D1056	UG-1-RE-035				
E				N/A						
DOCUMENT CONTROL NUMBER				ASTM D2000	SIZE	REV				
UG-1-EN-001-FR-(103018)				3BA711 A14 B13 C12 F17	A	A				
P:\Engineering\Prints\Rubber Extrusion\RE-035 UG-1-RE-035				SCALE:	1:1	DR. BY	C. VENT	DATE	1/4/2019	SHEET 1 OF 1