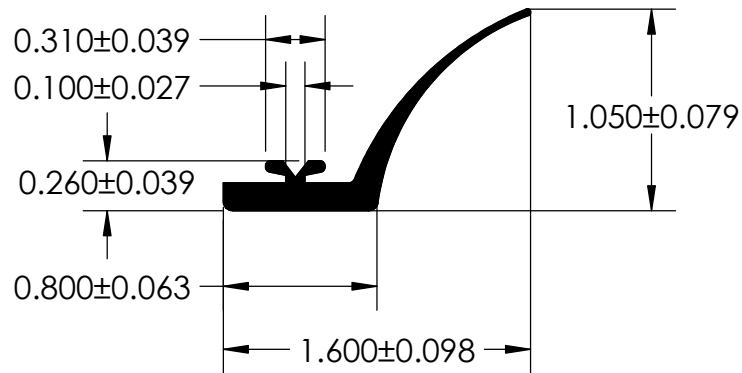
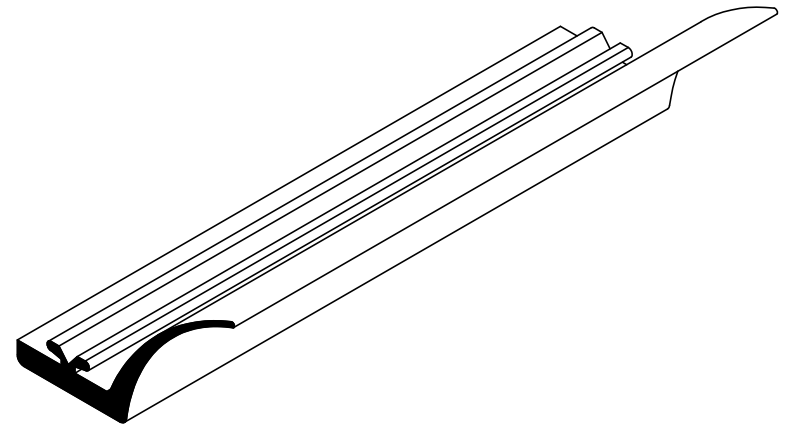


NOTES:

1) 60 DUROMETER EPDM DENSE RUBBER (1.200 LB/FT)



**UNI-GRIP, INC.**

9823 STATE ROUTE 53 N  
UPPER SANDUSKY, OHIO 43351

REVISION BLOCK				PROPRIETARY AND CONFIDENTIAL:	UNLESS OTHERWISE SPECIFIED:	TITLE:				
REV.	DATE	REVIEWED BY	CHANGES MADE	THE INFORMATION CONTAINED IN THIS DRAWING IS THE SOLE PROPERTY OF UNI-GRIP, INC. ANY REPRODUCTION IN PART OR AS A WHOLE WITHOUT THE WRITTEN PERMISSION OF UNI-GRIP, INC. IS PROHIBITED.	DIMENSIONS ARE IN INCHES TOLERANCES PER ARPM CLASS 3	RE-036				
A										
B					WEIGHT	0.115 LB/FT				
C					ASTM D1056	N/A				
D					DOCUMENT CONTROL NUMBER	ASTM D2000	SIZE	DWG. NO.	REV	
E				UG-1-EN-001-FR-(103018)	3BA711 A14 B13 C12 F17	<b>A</b>	UG-1-RE-036	<b>A</b>		
P:\Engineering\Prints\Rubber Extrusion\RE-036 UG-1-RE-036				SCALE:	1:1	DR. BY	C. VENT	DATE	1/4/2019	SHEET 1 OF 1