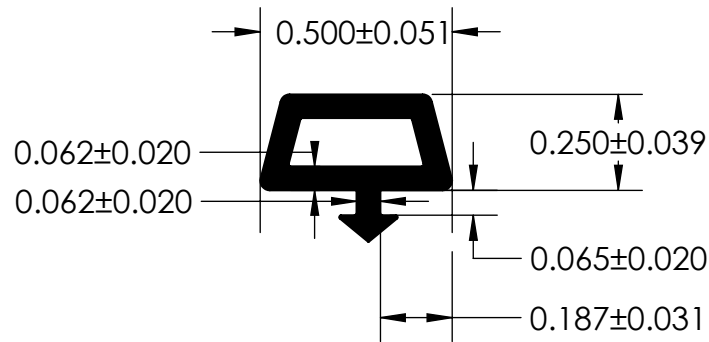
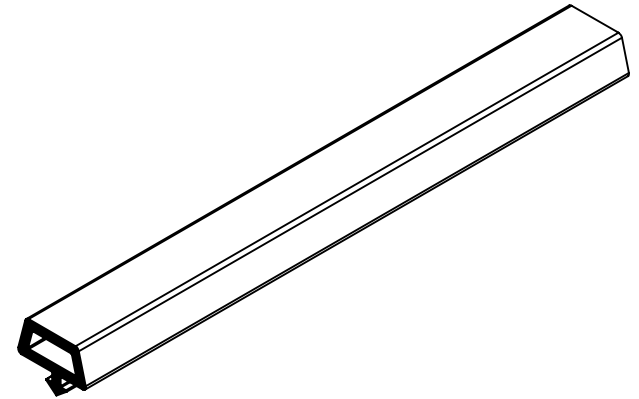
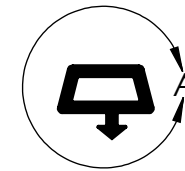


NOTES:

1) 60 DUROMETER EPDM DENSE RUBBER (1.165 G/CM³)



DETAIL A
SCALE 2 : 1



UNI-GRIP, INC.

9823 STATE ROUTE 53 N
UPPER SANDUSKY, OHIO 43351

REVISION BLOCK				PROPRIETARY AND CONFIDENTIAL:	UNLESS OTHERWISE SPECIFIED:	TITLE:				
REV.	DATE	R. By	CHANGES MADE	THE INFORMATION CONTAINED IN THIS DRAWING IS THE SOLE PROPERTY OF UNI-GRIP, INC. ANY REPRODUCTION IN PART OR AS A WHOLE WITHOUT THE WRITTEN PERMISSION OF UNI-GRIP, INC. IS PROHIBITED.	DIMENSIONS ARE IN INCHES TOLERANCES PER ARPM CLASS 3	RE-080				
A										
B					WEIGHT	DWG. NO. UG-1-RE-080				
C					0.043 LB/FT					
D					ASTM D1056	N/A	SIZE	REV		
E				DOCUMENT CONTROL NUMBER	ASTM D2000	A				
P:\Engineering\Prints\Master Prints\Rubber Extrusion\RE-080 UG-1-RE-80				UG-1-EN-001-FR-(080918)	3BA711 A14 B13 C12 F17	DR. BY	C. VENT	DATE	7/28/2020	SHEET 1 OF 1