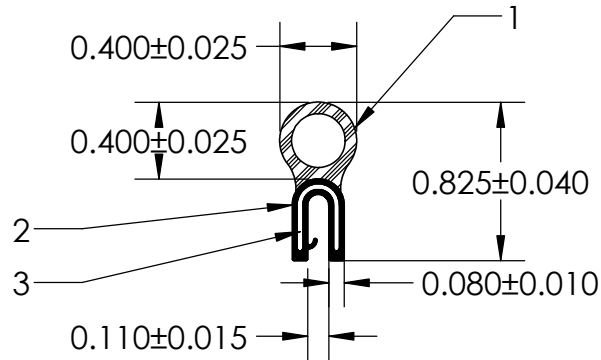
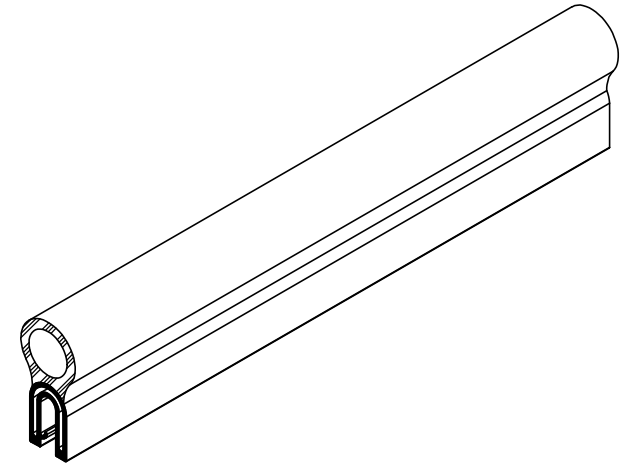


NOTES:

- 1) CLOSED CELL EPDM SPONGE RUBBER (0.750 G/CM³)
- 2) 70 DUROMETER EPDM DENSE RUBBER (1.200 G/CM³)
- 3) 3/4" WIRE CARRIER (0.017 LB/FT)



UNI-GRIP, INC.

9823 STATE ROUTE 53 N
UPPER SANDUSKY, OHIO 43351

REVISION BLOCK				PROPRIETARY AND CONFIDENTIAL:	UNLESS OTHERWISE SPECIFIED:	TITLE:		
REV.	DATE	REVIEWED BY	CHANGES MADE	THE INFORMATION CONTAINED IN THIS DRAWING IS THE SOLE PROPERTY OF UNI-GRIP, INC. ANY REPRODUCTION IN PART OR AS A WHOLE WITHOUT THE WRITTEN PERMISSION OF UNI-GRIP, INC. IS PROHIBITED.	DIMENSIONS ARE IN INCHES TOLERANCES PER ARPM CLASS 3	SD-10108		
A								
B					WEIGHT	SIZE A DWG. NO. UG-1-DU-750-WR-120 REV A		
C					0.067 LB/FT			
D					ASTM D1056	SCALE: 1:1 DR. BY C. VENT DATE 9/9/2019 SHEET 1 OF 1		
E				2A4				
DOCUMENT CONTROL NUMBER				ASTM D2000				
UG-1-EN-001-FR-(103018)				3BA711 A14 B13 C12 F17				
P:\Engineering\Prints\Dual Durometer\SD-10108 UG-1-DU-750-WR-120								