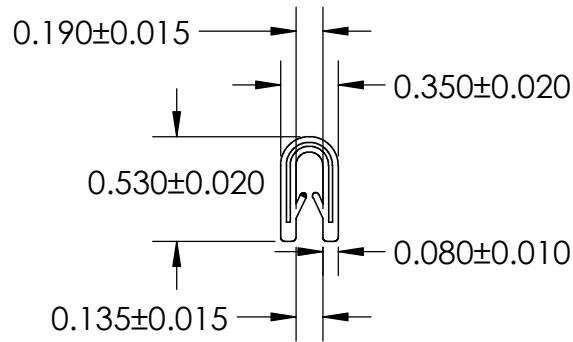
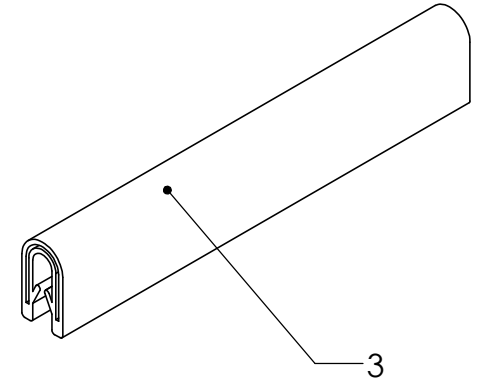


NOTES:

- 1) 80 DUROMETER WHITE PVC (DENSITY 1.370 G/CM³)
- 2) 1.000" STAMPED STEEL (0.046 LB/FT)
- 3) LEATHER GRAIN TEXTURE



UNI-GRIP, INC.

9823 STATE ROUTE 53 N
UPPER SANDUSKY, OHIO 43351

PROPRIETARY AND CONFIDENTIAL: THE INFORMATION CONTAINED IN THIS DRAWING IS THE SOLE PROPERTY OF UNI-GRIP, INC. ANY REPRODUCTION IN PART OR AS A WHOLE WITHOUT THE WRITTEN PERMISSION OF UNI-GRIP, INC. IS PROHIBITED.		UNLESS OTHERWISE SPECIFIED: DIMENSIONS ARE IN INCHES TOLERANCES PER ARPM CLASS 3		TITLE: <p style="text-align: center; font-size: 1.2em;">SD-1185-W</p>			
DOCUMENT CONTROL NUMBER UG-1-EN-001-FR-(111416)		WEIGHT 0.093 LB/FT ASTM D1056 N/A		SIZE <p style="font-size: 1.5em; font-weight: bold;">A</p>		DWG. NO. UG-1-ET-1000-FS-040	REV <p style="font-size: 1.5em; font-weight: bold;">A</p>
SCALE: 1:1		DR. BY C. VENT		DATE 5/22/2018		SHEET 1 OF 1	