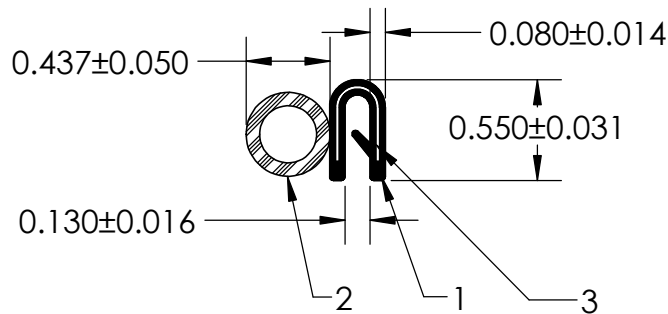
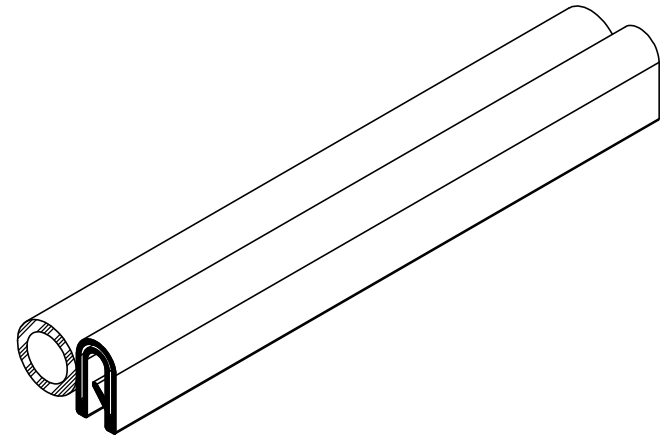


NOTES:

- 1) 80 DUROMETER BLACK PVC (1.370 G/CM<sup>3</sup>)
- 2) CLOSED CELL EPDM SPONGE RUBBER (0.380 G/CM<sup>3</sup>)
- 3) 1.000" STEEL CARRIER (0.046 LB/FT)



**UNI-GRIP, INC.**

9823 STATE ROUTE 53 N  
UPPER SANDUSKY, OHIO 43351

REVISION BLOCK			PROPRIETARY AND CONFIDENTIAL:	UNLESS OTHERWISE SPECIFIED:	TITLE:						
REV.	DATE	REVISED BY	CHANGES MADE	THE INFORMATION CONTAINED IN THIS DRAWING IS THE SOLE PROPERTY OF UNI-GRIP, INC. ANY REPRODUCTION IN PART OR AS A WHOLE WITHOUT THE WRITTEN PERMISSION OF UNI-GRIP, INC. IS PROHIBITED.  DOCUMENT CONTROL NUMBER UG-1-EN-001-FR-(111416)	DIMENSIONS ARE IN INCHES TOLERANCES PER ARPM CLASS 3	SD-1205 W/.437" SIDE BULB					
A					WEIGHT 0.120 LB/FT						
B					ASTM D1056 2A2	SIZE <b>A</b>	DWG. NO. UG-1-GL-1000-FS-019	REV <b>A</b>			
C					ASTM D2000 N/A						
D											
E											
P:\Engineering\Prints\Glue Line\SD-1205 W/.437in Side Bulb UG-1-GL-1000-FS-019				SCALE:	1:1	DR. BY	C. VENT	DATE	8/9/2018	SHEET	1 OF 1