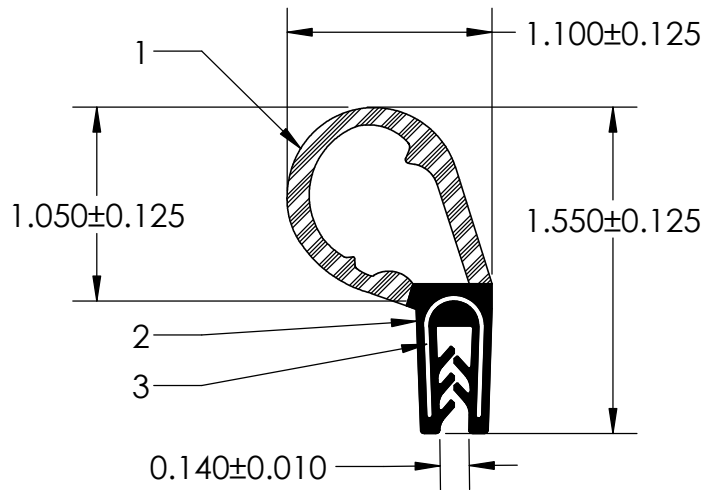
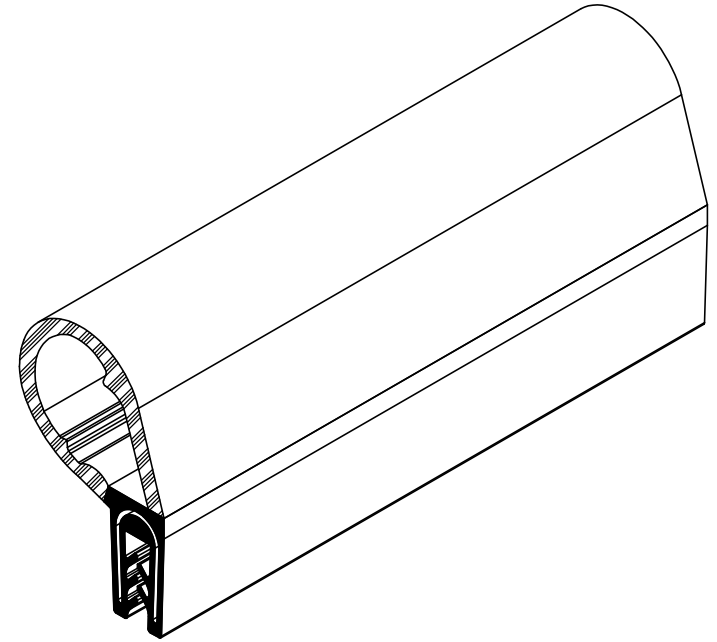


NOTES:

- 1) CLOSED CELL EPDM SPONGE RUBBER (0.700 G/CM³)
- 2) 70 DUROMETER EPDM DENSE RUBBER (1.200 G/CM³)
- 3) 1.430" WIRE CARRIER (0.033 LB/FT)



UNI-GRIP, INC.

9823 STATE ROUTE 53 N
UPPER SANDUSKY, OHIO 43351

| REVISION BLOCK | | | | PROPRIETARY AND CONFIDENTIAL: | UNLESS OTHERWISE SPECIFIED: | TITLE: | | | | |
|---|------|-------------|--------------|---|---|----------|---------|---------------------|-----------|--------------|
| REV. | DATE | REVIEWED BY | CHANGES MADE | THE INFORMATION CONTAINED IN THIS DRAWING IS THE SOLE PROPERTY OF UNI-GRIP, INC. ANY REPRODUCTION IN PART OR AS A WHOLE WITHOUT THE WRITTEN PERMISSION OF UNI-GRIP, INC. IS PROHIBITED. | DIMENSIONS ARE IN INCHES TOLERANCES PER ARPM CLASS 3 | SD-12111 | | | | |
| A | | | | | | | | | | |
| B | | | | | WEIGHT | DWG. NO. | | | | |
| C | | | | | 0.225 LB/FT | | | | | |
| D | | | | | ASTM D1056 | 2A4 | A | UG-1-DU-1430-WR-112 | REV A | |
| E | | | | ASTM D2000 | | | | | | |
| DOCUMENT CONTROL NUMBER | | | | UG-1-EN-001-FR-(103018) | 3BA711 A14 B13 C12 F17 | DR. BY | C. VENT | DATE | 6/24/2019 | SHEET 1 OF 1 |
| P:\Engineering\Prints\Dual Durometer\SD-12111 | | | | UG-1-DU-1430-WR-112 | SCALE: | 1:1 | | | | |