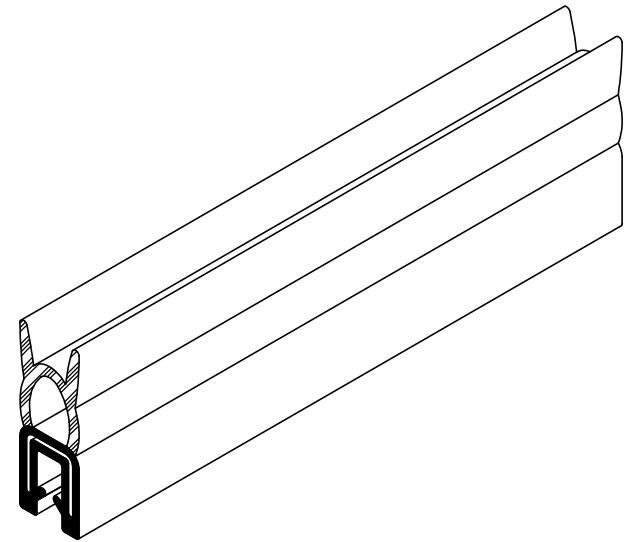
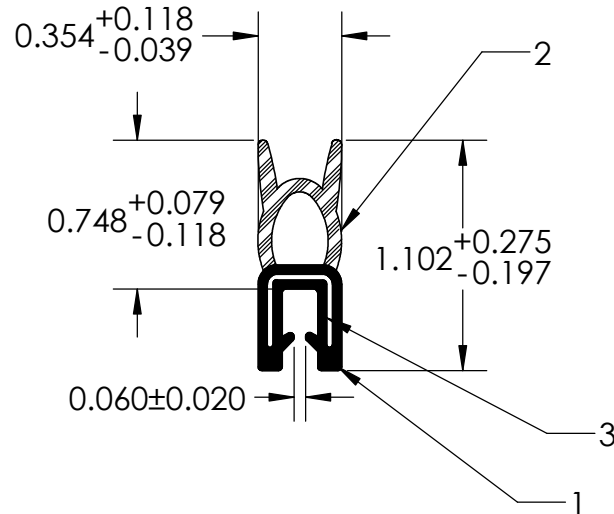


NOTES:

- 1) 70 DUROMETER EPDM DENSE RUBBER (1.200 G/CM<sup>3</sup>)
- 2) CLOSED CELL EPDM SPONGE RUBBER (0.550 G/CM<sup>3</sup>)
- 3) 1.120" WIRE CARRIER (0.024 LB/FT)



**UNI-GRIP, INC.**

9823 STATE ROUTE 53 N  
UPPER SANDUSKY, OHIO 43351

PROPRIETARY AND CONFIDENTIAL:  THE INFORMATION CONTAINED IN THIS DRAWING IS THE SOLE PROPERTY OF UNI-GRIP, INC. ANY REPRODUCTION IN PART OR AS A WHOLE WITHOUT THE WRITTEN PERMISSION OF UNI-GRIP, INC. IS PROHIBITED.		UNLESS OTHERWISE SPECIFIED:  DIMENSIONS ARE IN INCHES TOLERANCES PER ARPM CLASS 3		TITLE:  <h2 style="text-align: center;">SD-12160</h2>	
DOCUMENT CONTROL NUMBER <b>UG-1-EN-001-FR-(111416)</b>		WEIGHT <b>0.138 LB/FT</b>		SIZE <h1 style="text-align: center;">A</h1>	
ASTM D1056 <b>2A2</b>		ASTM D2000 <b>3BA711 A14 B13 C12 F17</b>		DWG. NO. <b>UG-1-DU-1120-WR-020</b>	
P:\Engineering\Prints\Dual Durometer\SD-12160 UG-1-DU-1120-WR-020		SCALE: 1:1		DR. BY <b>L. CLARK</b> DATE <b>8/16/2017</b> SHEET 1 OF 1	