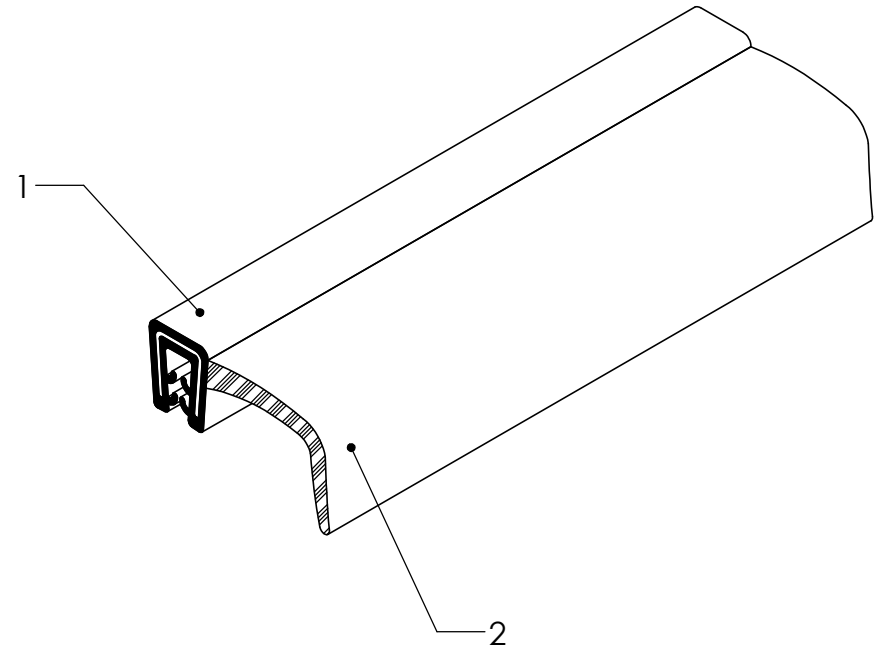
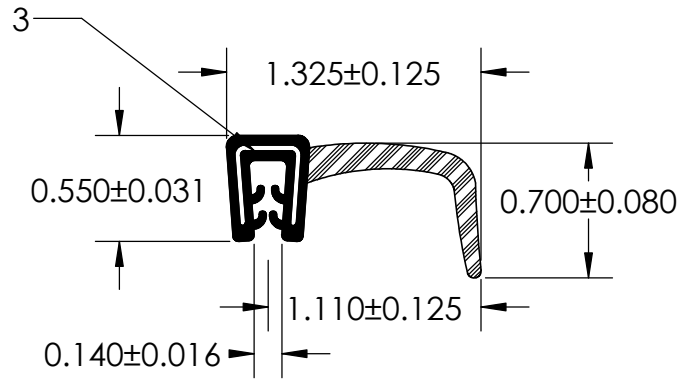


NOTES:

- 1) 70 DUROMETER EPDM DENSE RUBBER (1.200 G/CM<sup>3</sup>)
- 2) CLOSED CELL EPDM SPONGE RUBBER (0.565 G/CM<sup>3</sup>)
- 3) 1.120" WIRE CARRIER (0.024 LB/FT)



**UNI-GRIP, INC.**

9823 STATE ROUTE 53 N  
UPPER SANDUSKY, OHIO 43351

PROPRIETARY AND CONFIDENTIAL:  THE INFORMATION CONTAINED IN THIS DRAWING IS THE SOLE PROPERTY OF UNI-GRIP, INC. ANY REPRODUCTION IN PART OR AS A WHOLE WITHOUT THE WRITTEN PERMISSION OF UNI-GRIP, INC. IS PROHIBITED.		UNLESS OTHERWISE SPECIFIED:  DIMENSIONS ARE IN INCHES TOLERANCES PER ARPM CLASS 3		TITLE:  <p style="text-align: center; font-size: 1.2em;">SD-12362</p>	
DOCUMENT CONTROL NUMBER UG-1-EN-001-FR-(111416)		WEIGHT <p style="text-align: center;">0.148 LB/FT</p> ASTM D1056 <p style="text-align: center;">2A3</p>		SIZE <p style="text-align: center; font-size: 1.5em;">A</p>	DWG. NO. UG-1-DU-1120-WR-026
ASTM D2000 3BA711 A14 B13 C12 F17		DR. BY L. CLARK		DATE 8/2/2017	REV <p style="text-align: center; font-size: 1.5em;">A</p>
SCALE: 1:1		SHEET 1 OF 1			