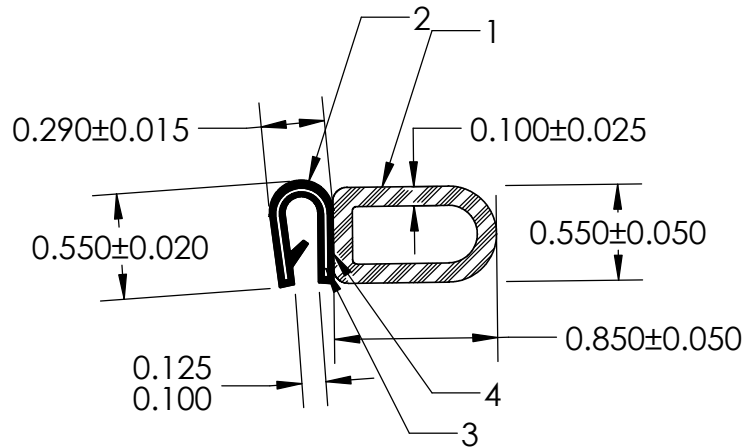
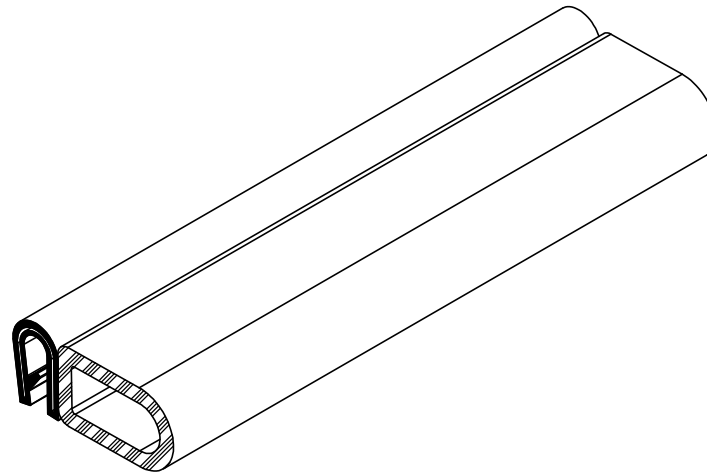


NOTES:

- 1) CLOSED CELL EPDM SPONGE RUBBER (0.750 G/CM³)
- 2) 80 DUROMETER BLACK PVC (1.370 G/CM³)
- 3) 1.000" STAMPED STEEL (0.046 LB/FT)
- 4) CYANOACRYLATE ADHESIVE




UNI-GRIP, INC.
 9823 STATE ROUTE 53 N
 UPPER SANDUSKY, OHIO 43351

REVISION BLOCK			
REV.	DATE	REVIEWED BY	CHANGES MADE
A			
B			
C			
D			
E			

PROPRIETARY AND CONFIDENTIAL:	UNLESS OTHERWISE SPECIFIED:
THE INFORMATION CONTAINED IN THIS DRAWING IS THE SOLE PROPERTY OF UNI-GRIP, INC. ANY REPRODUCTION IN PART OR AS A WHOLE WITHOUT THE WRITTEN PERMISSION OF UNI-GRIP, INC. IS PROHIBITED.	DIMENSIONS ARE IN INCHES TOLERANCES PER ARPM CLASS 3
DOCUMENT CONTROL NUMBER UG-1-EN-001-FR-(103018)	WEIGHT 0.136 LB/FT
	ASTM D1056 2A4
	ASTM D2000 N/A
P:\Engineering\Prints\Glue Line\SD-124 UG-1-GL-1000-FS-027	SCALE: 1:1

TITLE:		
SD-124		
SIZE A	DWG. NO. UG-1-GL-1000-FS-027	REV
DR. BY C. VENT	DATE 7/22/2019	SHEET 1 OF 1