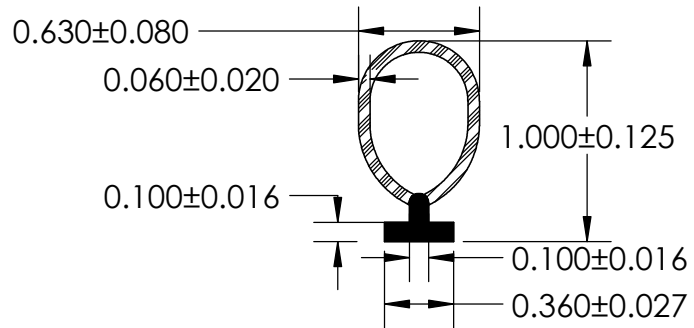
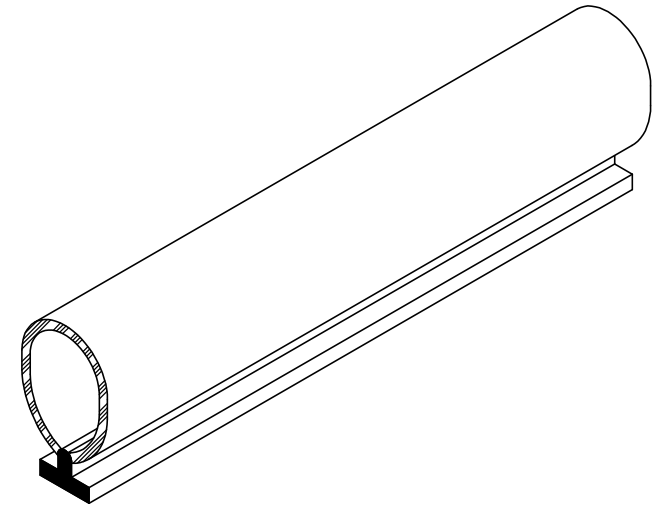


NOTES:

- 1) CLOSED CELL EPDM SPONGE RUBBER (0.699 G/CM<sup>3</sup>)
- 2) 70 DUROMETER EPDM DENSE RUBBER (1.200 G/CM<sup>3</sup>)



**UNI-GRIP, INC.**

9823 STATE ROUTE 53 N  
UPPER SANDUSKY, OHIO 43351

PROPRIETARY AND CONFIDENTIAL:  THE INFORMATION CONTAINED IN THIS DRAWING IS THE SOLE PROPERTY OF UNI-GRIP, INC. ANY REPRODUCTION IN PART OR AS A WHOLE WITHOUT THE WRITTEN PERMISSION OF UNI-GRIP, INC. IS PROHIBITED.	UNLESS OTHERWISE SPECIFIED:  DIMENSIONS ARE IN INCHES TOLERANCES PER ARPM CLASS 3	TITLE:  <p style="text-align: center; font-size: 1.2em;">SD-12404</p>		
	WEIGHT <p style="text-align: center;">0.064 LB/FT</p>	ASTM D1056 <p style="text-align: center;">2A3</p>	SIZE <p style="text-align: center; font-size: 1.5em;">A</p>	DWG. NO. <p style="text-align: center;">UG-1-DU-055</p>
DOCUMENT CONTROL NUMBER UG-1-EN-001-FR-(111416)	ASTM D2000 3BA711 A14 B13 C12 F17	DR. BY C. VENT	DATE 12/7/2017	SHEET 1 OF 1