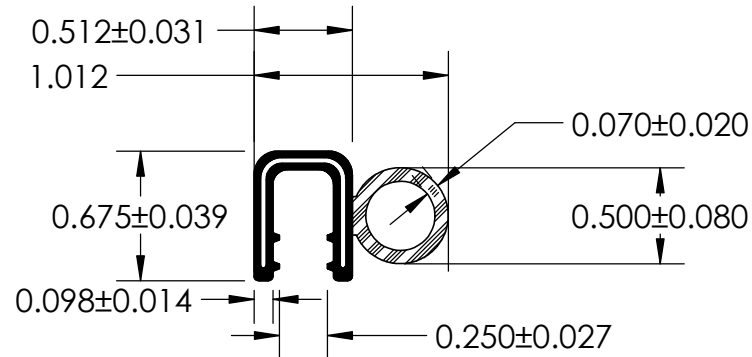
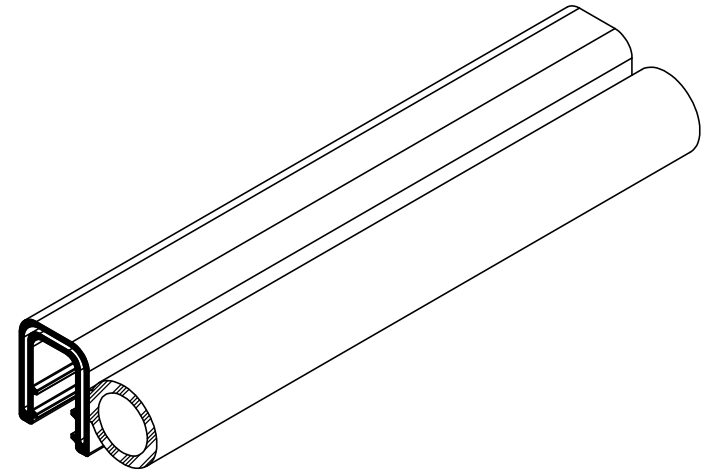


NOTES:

1 CLOSED CELL EPDM SPONGE RUBBER (0.700 G/CM<sup>3</sup>)

2 70 DUROMETER EPDM DENSE RUBBER (1.200 G/CM<sup>3</sup>)

3) 1.430" WIRE CARRIER (0.033 LB/FT)



**UNI-GRIP, INC.**

9823 STATE ROUTE 53 N  
UPPER SANDUSKY, OHIO 43351

REVISION BLOCK				PROPRIETARY AND CONFIDENTIAL:	UNLESS OTHERWISE SPECIFIED:	TITLE:		
REV.	DATE	REVIEWED BY	CHANGES MADE	THE INFORMATION CONTAINED IN THIS DRAWING IS THE SOLE PROPERTY OF UNI-GRIP, INC. ANY REPRODUCTION IN PART OR AS A WHOLE WITHOUT THE WRITTEN PERMISSION OF UNI-GRIP, INC. IS PROHIBITED.	DIMENSIONS ARE IN INCHES TOLERANCES PER ARPM CLASS 3	SD-12620		
A								
B					WEIGHT	SIZE <b>A</b> DWG. NO. UG-1-DU-1430-WR-100 REV <b>A</b>		
C					0.153 LB/FT			
D					ASTM D1056	SCALE: 1:1 DR. BY C. VENT DATE 1/17/2019 SHEET 1 OF 1		
E				2A4				
DOCUMENT CONTROL NUMBER				ASTM D2000				
UG-1-EN-001-FR-(103018)				3BA711 A14 B13 C12 F17				
P:\Engineering\Prints\Dual Durometer\SD-12620 UG-1-DU-1430-WR-100								