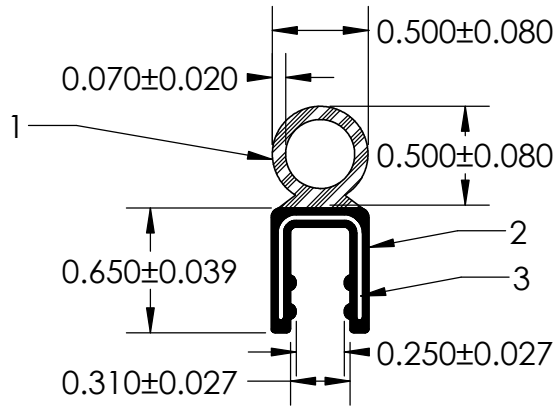
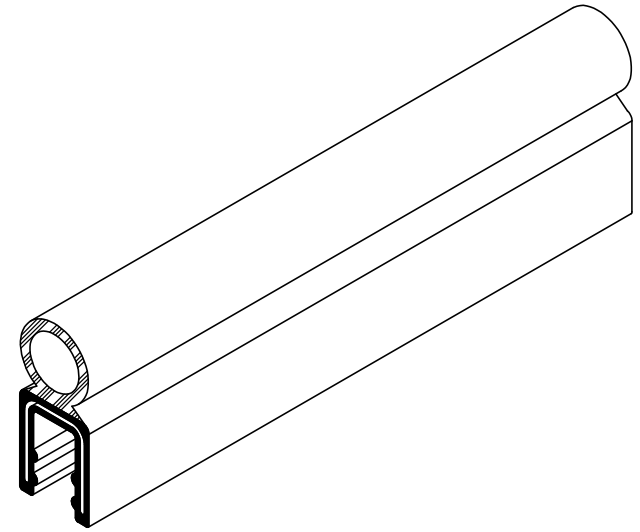


NOTES:

- 1) CLOSED CELL EPDM SPONGE RUBBER (0.699 G/CM³)
- 2) 70 DUROMETER DENSE RUBBER (1.200 G/CM³)
- 3) 1.430" WIRE CARRIER (0.033 LB/FT)



UNI-GRIP, INC.

9823 STATE ROUTE 53 N
UPPER SANDUSKY, OHIO 43351

PROPRIETARY AND CONFIDENTIAL: THE INFORMATION CONTAINED IN THIS DRAWING IS THE SOLE PROPERTY OF UNI-GRIP, INC. ANY REPRODUCTION IN PART OR AS A WHOLE WITHOUT THE WRITTEN PERMISSION OF UNI-GRIP, INC. IS PROHIBITED.		UNLESS OTHERWISE SPECIFIED: DIMENSIONS ARE IN INCHES TOLERANCES PER ARPM CLASS 3		TITLE: <p style="text-align: center; font-size: 1.2em;">SD-12622</p>		
DOCUMENT CONTROL NUMBER UG-1-EN-001-FR-(111416)		WEIGHT <p style="text-align: center;">0.154 LB/FT</p> ASTM D1056 <p style="text-align: center;">2A3</p>		SIZE <p style="text-align: center; font-size: 1.5em;">A</p>	DWG. NO. UG-1-DU-1430-WR-042	REV <p style="text-align: center; font-size: 1.5em;">A</p>
UG-1-DU-1430-WR-042		ASTM D2000 3BA711 A14 B13 C12 F17		DR. BY C. VENT	DATE 11/21/2017	SHEET 1 OF 1