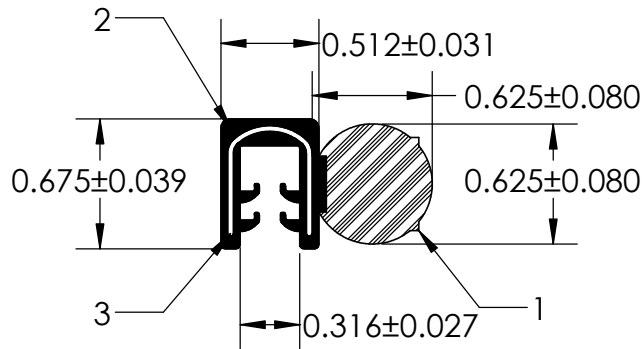
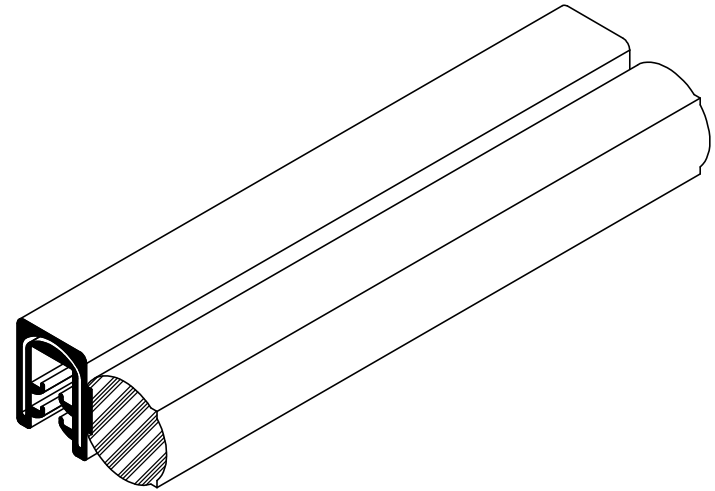


NOTES:

- 1) CLOSED CELL EPDM SPONGE RUBBER (0.699G/CM³)
- 2) 70 DUROMETER DENSE RUBBER (1.200 G/CM³)
- 3) 1.430" WIRE CARRIER (0.033 LB/FT)



UNI-GRIP, INC.

9823 STATE ROUTE 53 N
UPPER SANDUSKY, OHIO 43351

| | | | | |
|--|--|---|---|--|
| PROPRIETARY AND CONFIDENTIAL: THE INFORMATION CONTAINED IN THIS DRAWING IS THE SOLE PROPERTY OF UNI-GRIP, INC. ANY REPRODUCTION IN PART OR AS A WHOLE WITHOUT THE WRITTEN PERMISSION OF UNI-GRIP, INC. IS PROHIBITED. | UNLESS OTHERWISE SPECIFIED: DIMENSIONS ARE IN INCHES TOLERANCES PER ARPM CLASS 3 | TITLE: <h2 style="text-align: center;">SD-12625</h2> | | |
| | WEIGHT <h3 style="text-align: center;">0.230 LB/FT</h3> | ASTM D1056 <h3 style="text-align: center;">2A3</h3> | SIZE <h2 style="text-align: center;">A</h2> | DWG. NO. <h3 style="text-align: center;">UG-1-DU-1430-WR-040</h3> |
| DOCUMENT CONTROL NUMBER <h3 style="text-align: center;">UG-1-EN-001-FR-(111416)</h3> | ASTM D2000 <h3 style="text-align: center;">3BA711 A14 B13 C12 F17</h3> | DR. BY <h3 style="text-align: center;">C. VENT</h3> | DATE <h3 style="text-align: center;">11/20/2017</h3> | SHEET 1 OF 1 |