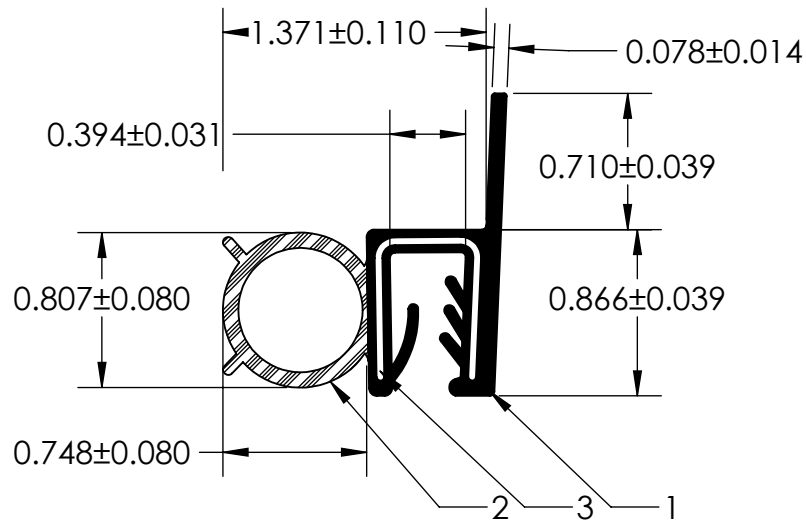
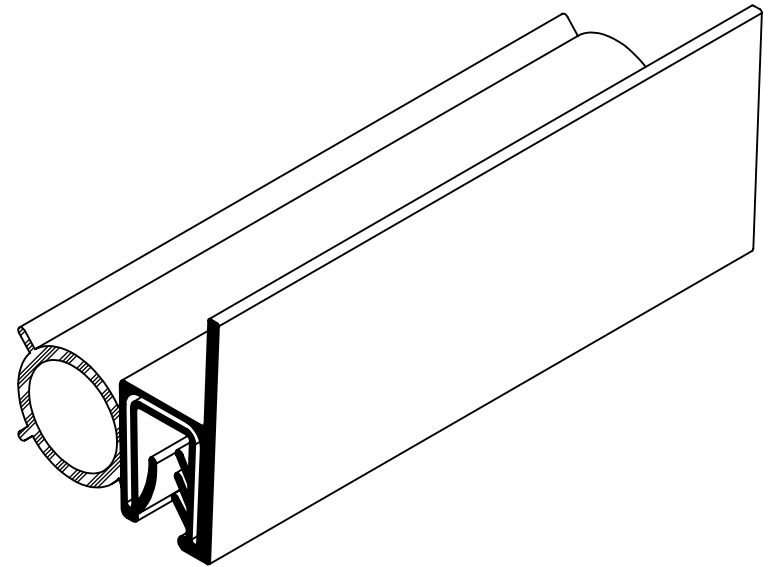


NOTES:

- 1) 70 DUROMETER EPDM DENSE RUBBER (1.200 G/CM<sup>3</sup>)
- 2) CLOSED CELL EPDM SPONGE RUBBER (0.700 G/CM<sup>3</sup>)
- 3) 1.700 " WIRE CARRIER (0.037 LB/FT)



**UNI-GRIP, INC.**

9823 STATE ROUTE 53 N  
UPPER SANDUSKY, OHIO 43351

REVISION BLOCK				PROPRIETARY AND CONFIDENTIAL:	UNLESS OTHERWISE SPECIFIED:	TITLE:				
REV.	DATE	R. By	CHANGES MADE	THE INFORMATION CONTAINED IN THIS DRAWING IS THE SOLE PROPERTY OF UNI-GRIP, INC. ANY REPRODUCTION IN PART OR AS A WHOLE WITHOUT THE WRITTEN PERMISSION OF UNI-GRIP, INC. IS PROHIBITED.	DIMENSIONS ARE IN INCHES TOLERANCES PER ARPM CLASS 2	SD-12643				
A										
B					WEIGHT	DWG. NO.				
C					0.328 LB/FT					
D					ASTM D1056	2A4	UG-1-DU-1700-WR-166	REV		
E				ASTM D2000	3BA711 A14 B13 C12 F17					
DOCUMENT CONTROL NUMBER				SCALE: 1:1		DR. BY	C. VENT	DATE	4/20/2021	SHEET 1 OF 1
P:\Engineering\Prints\Master Prints\Dual Durometer\SD-12643 UG-1-DU-1700-WR-166										