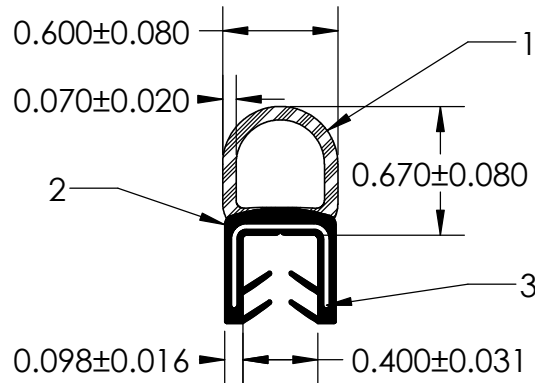
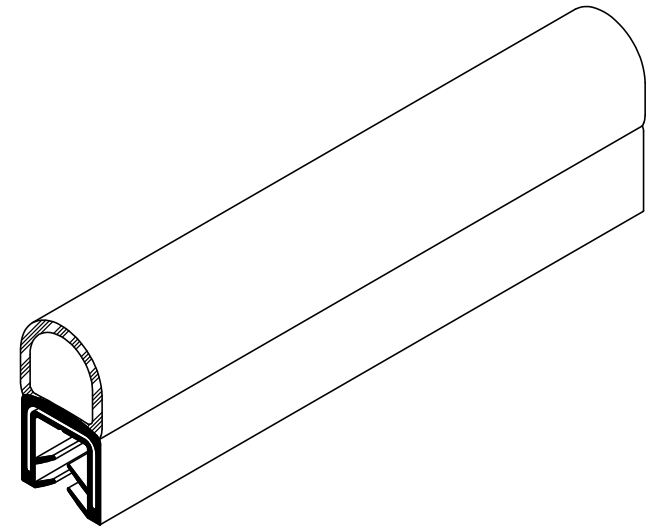


NOTES:

1) CLOSED CELL EPDM SPONGE RUBBER (0.536 G/CM³)

2) 70 DUROMETER DENSE RUBBER (1.200 G /CM³)

3) 1.315" WIRE CARRIER (0.028 LB/FT)



UNI-GRIP, INC.

9823 STATE ROUTE 53 N
UPPER SANDUSKY, OHIO 43351

PROPRIETARY AND CONFIDENTIAL: THE INFORMATION CONTAINED IN THIS DRAWING IS THE SOLE PROPERTY OF UNI-GRIP, INC. ANY REPRODUCTION IN PART OR AS A WHOLE WITHOUT THE WRITTEN PERMISSION OF UNI-GRIP, INC. IS PROHIBITED.	UNLESS OTHERWISE SPECIFIED:	TITLE:		
	DIMENSIONS ARE IN INCHES TOLERANCES PER ARPM CLASS 3	SD-12676		
	WEIGHT 0.144 LB/FT			
DOCUMENT CONTROL NUMBER UG-1-EN-001-FR-(111416)	ASTM D1056 2A3	SIZE A	DWG. NO. UG-1-DU-1315-WR-039	REV A
UG-1-DU-1315-WR-039	ASTM D2000 3BA711 A14 B13 C12 F17	DR. BY C. VENT	DATE 11/16/2017	SHEET 1 OF 1