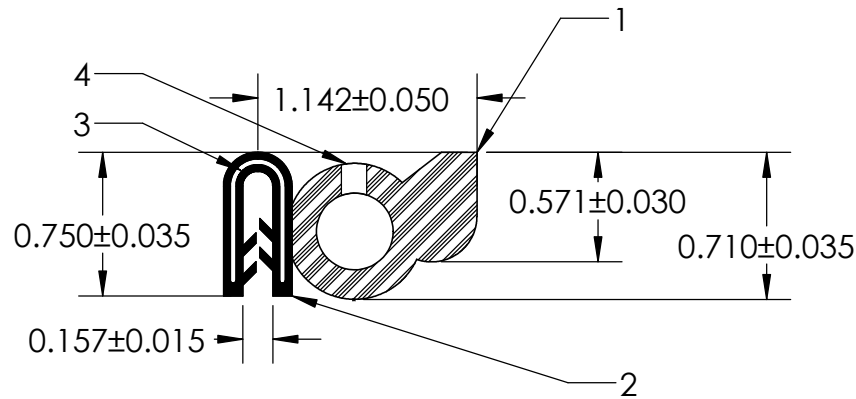
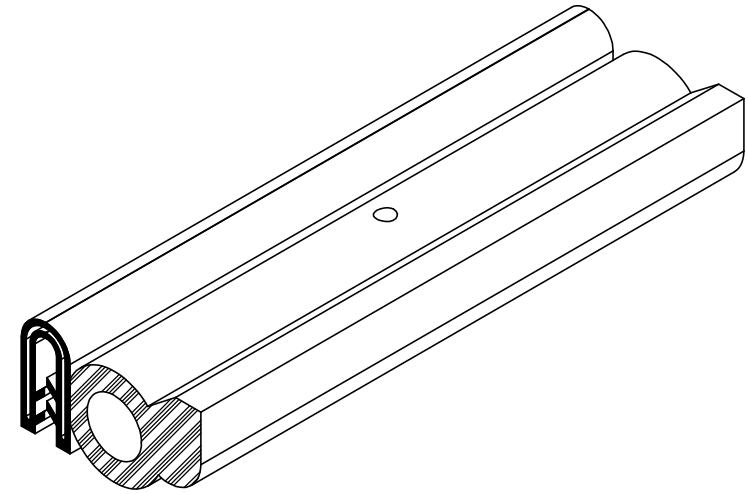


NOTES:

- 1) CLOSED CELL EPDM SPONGE RUBBER (0.750 G/CM³)
- 2) 70 DUROMETER EPDM DENSE RUBBER (1.200 G/CM³)
- 3) 1.430" WIRE CARRIER (0.033 LB/FT)
- 4) DRAIN HOLES



UNI-GRIP, INC.

9823 STATE ROUTE 53 N
UPPER SANDUSKY, OHIO 43351

REVISION BLOCK				PROPRIETARY AND CONFIDENTIAL:	UNLESS OTHERWISE SPECIFIED:	TITLE:		
REV.	DATE	By	CHANGES MADE	THE INFORMATION CONTAINED IN THIS DRAWING IS THE SOLE PROPERTY OF UNI-GRIP, INC. ANY REPRODUCTION IN PART OR AS A WHOLE WITHOUT THE WRITTEN PERMISSION OF UNI-GRIP, INC. IS PROHIBITED.	DIMENSIONS ARE IN INCHES TOLERANCES PER ARPM CLASS 3	SD-12684		
A	08/09/18	GS	Added a revision block to template					
B					WEIGHT	SIZE A DWG. NO. UG-1-DU-1430-WR-090 REV A		
C					0.208 LB/FT			
D					ASTM D1056	DR. BY C. VENT DATE 10/16/2018 SHEET 1 OF 1		
E				2A4				
DOCUMENT CONTROL NUMBER UG-1-EN-001-FR-(080918)				ASTM D2000				
P:\Engineering\Prints\Dual Durometer\SD-12684 UG-1-DU-1430-WR-090				3BA711 A14 B13 C12 F17	SCALE: 1:1			