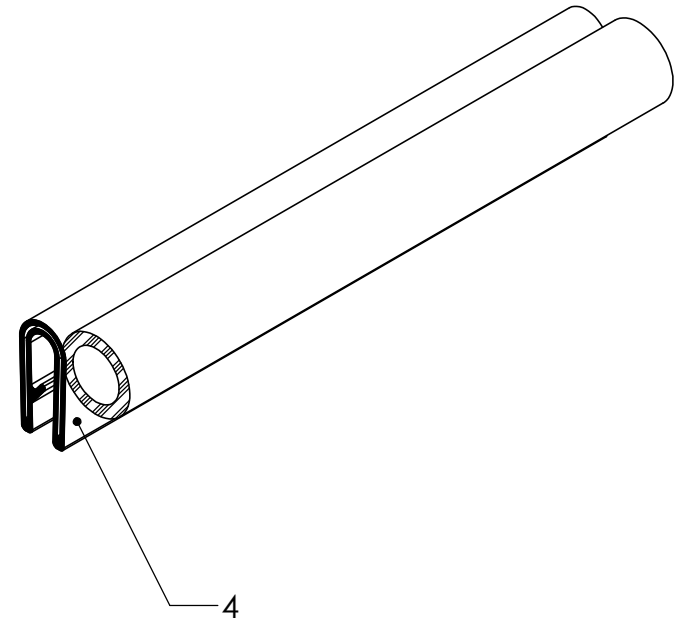
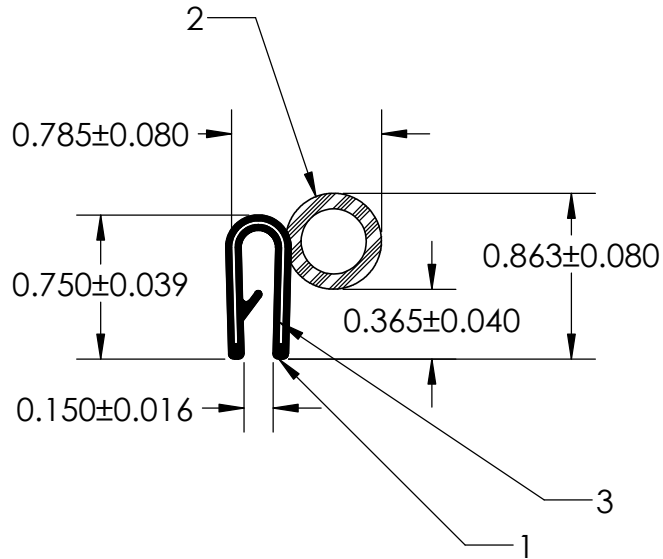


NOTES:

- 1) 78 DUROMETER BLACK PVC (1.370 G/CM<sup>3</sup>)
- 2) CLOSED CELL EPDM SPONGE RUBBER (0.450 G/CM<sup>3</sup>)
- 3) 1.400" STAMPED STEEL CARRIER (0.064 LB/FT)
- 4) LEATHER GRAIN TEXTURE



**UNI-GRIP, INC.**

9823 STATE ROUTE 53 N  
UPPER SANDUSKY, OHIO 43351

PROPRIETARY AND CONFIDENTIAL:	UNLESS OTHERWISE SPECIFIED:
THE INFORMATION CONTAINED IN THIS DRAWING IS THE SOLE PROPERTY OF UNI-GRIP, INC. ANY REPRODUCTION IN PART OR AS A WHOLE WITHOUT THE WRITTEN PERMISSION OF UNI-GRIP, INC. IS PROHIBITED.	DIMENSIONS ARE IN INCHES TOLERANCES PER ARPM CLASS 3
	WEIGHT 0.158 LB/FT
	ASTM D1056 2A2
DOCUMENT CONTROL NUMBER UG-1-EN-001-FR-(111416)	ASTM D2000 N/A

TITLE:  SD-1400 W/ NAV 1/2"		
SIZE <b>A</b>	DWG. NO. UG-1-GL-1400-FS-005	REV <b>A</b>