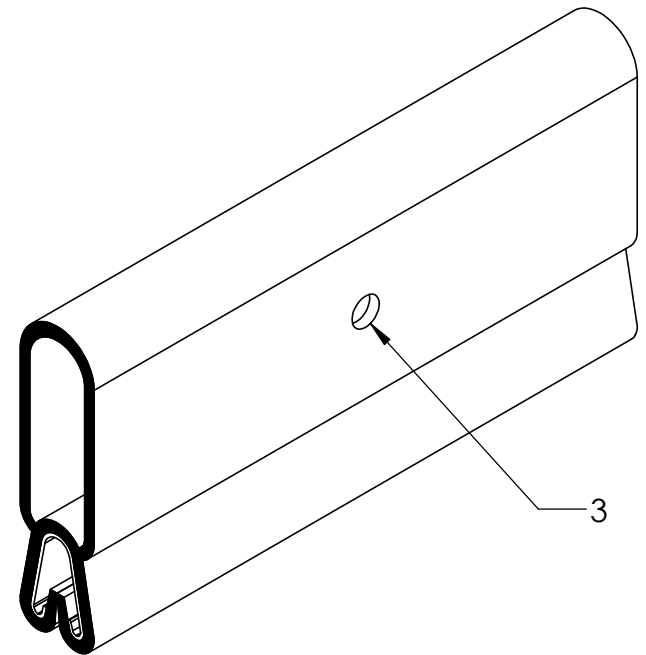
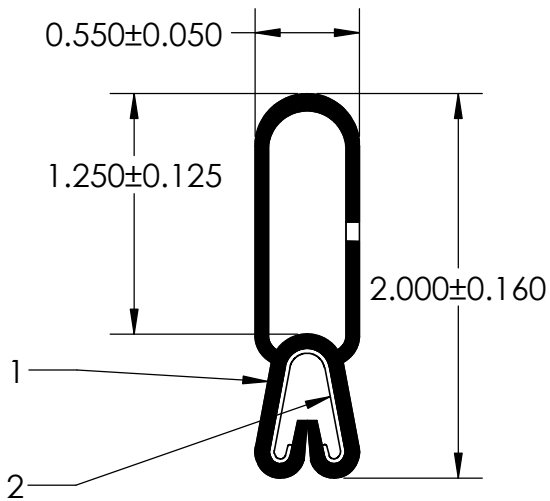


NOTES:

- 1) CLOSED CELL EPDM SPONGE RUBBER (0.750 G/CM<sup>3</sup>)
- 2) SD-500L STEEL CARRIER (0.035 LB/FT)
- 3) .125" VENT HOLE



**UNI-GRIP, INC.**

9823 STATE ROUTE 53 N  
UPPER SANDUSKY, OHIO 43351

REVISION BLOCK				PROPRIETARY AND CONFIDENTIAL:	UNLESS OTHERWISE SPECIFIED:	TITLE:				
REV.	DATE	REVIEWED BY	CHANGES MADE	THE INFORMATION CONTAINED IN THIS DRAWING IS THE SOLE PROPERTY OF UNI-GRIP, INC. ANY REPRODUCTION IN PART OR AS A WHOLE WITHOUT THE WRITTEN PERMISSION OF UNI-GRIP, INC. IS PROHIBITED.	DIMENSIONS ARE IN INCHES TOLERANCES PER ARPM CLASS 3	SD-169 W/ 500L				
A										
B					WEIGHT	0.170 LB/FT	SIZE <b>A</b>	DWG. NO. UG-1-BL-500-ST-066	REV <b>A</b>	
C					ASTM D1056	2A4				
D					DOCUMENT CONTROL NUMBER	ASTM D2000				
E				UG-1-EN-001-FR-(103018)	N/A	DR. BY	C. VENT	DATE	7/15/2019	SHEET 1 OF 1
P:\Engineering\Prints\Bulb Seals\SD-169 W/500L				UG-1-BL-500-ST-066	SCALE:	1:1				