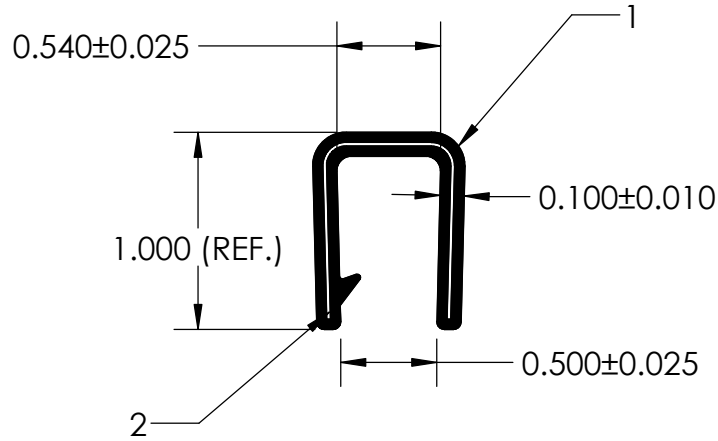
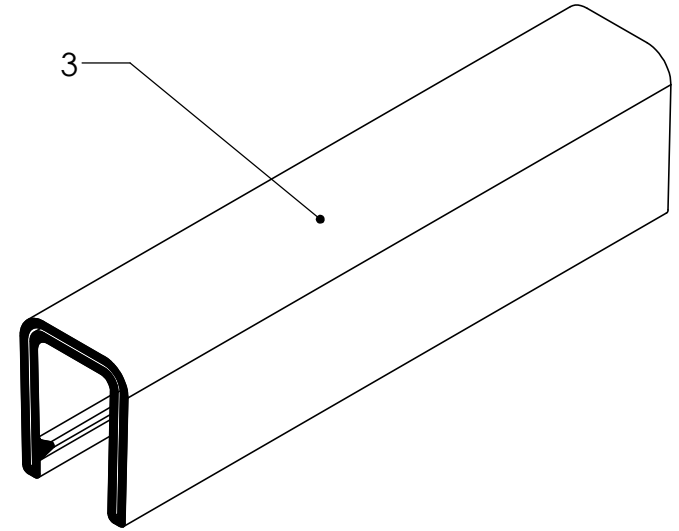


NOTES:

1) 78 DUROMETER BLACK PVC (1.370 G/CM³)

2) 2.000" STAMPED STEEL (0.124 LB/FT)

3) LEATHER GRAIN TEXTURE



UNI-GRIP, INC.

9823 STATE ROUTE 53 N
UPPER SANDUSKY, OHIO 43351

REVISION BLOCK				PROPRIETARY AND CONFIDENTIAL:	UNLESS OTHERWISE SPECIFIED:	TITLE:				
REV.	DATE	By	CHANGES MADE	THE INFORMATION CONTAINED IN THIS DRAWING IS THE SOLE PROPERTY OF UNI-GRIP, INC. ANY REPRODUCTION IN PART OR AS A WHOLE WITHOUT THE WRITTEN PERMISSION OF UNI-GRIP, INC. IS PROHIBITED.	DIMENSIONS ARE IN INCHES	SD-1875				
A	7/31/24	G.S.	Made 1.000" a reference dimension		WEIGHT				0.247 LB/FT	
B					ASTM D1056	N/A	SIZE	DWG. NO.	REV	
C					DOCUMENT CONTROL NUMBER	ASTM D2000	A	UG-1-ET-2000-FS-018	A	
D					UG-1-EN-001-FR-(030123)	N/A				
E						DR. BY	C. VENT	DATE	7/31/2024	SHEET 1 OF 1

P:\Engineering\Prints\Master Prints\Edge Trim\SD-1875 UG-1-ET-2000-FS-018

SCALE: 1:1

DR. BY C. VENT

DATE 7/31/2024

SHEET 1 OF 1