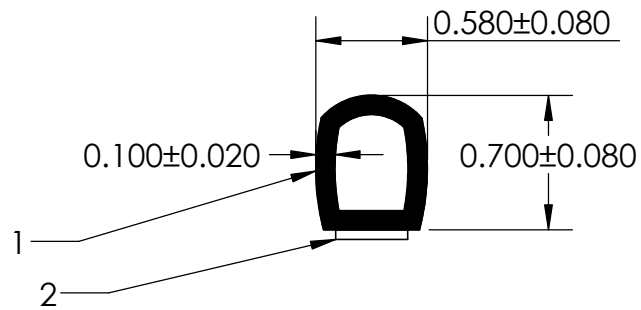
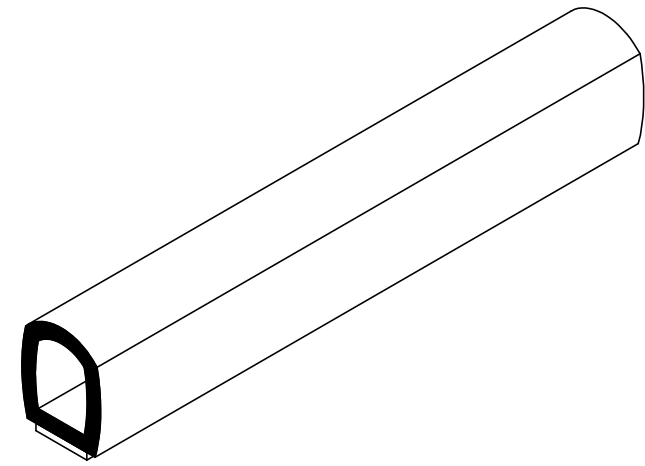


NOTES:

- 1) CLOSED CELL SPONGE RUBBER (DENSITY 0.696 G/CM³)
- 2) 3/8" 3M ST-1200 HEAT ACTIVATED TAPE (0.006 LB/FT)



UNI-GRIP, INC.

9823 STATE ROUTE 53 N
UPPER SANDUSKY, OHIO 43351

PROPRIETARY AND CONFIDENTIAL: THE INFORMATION CONTAINED IN THIS DRAWING IS THE SOLE PROPERTY OF UNI-GRIP, INC. ANY REPRODUCTION IN PART OR AS A WHOLE WITHOUT THE WRITTEN PERMISSION OF UNI-GRIP, INC. IS PROHIBITED.	UNLESS OTHERWISE SPECIFIED:	TITLE:		
	DIMENSIONS ARE IN INCHES TOLERANCES PER ARPM CLASS 3	SD-210-T		
	WEIGHT 0.0677 LB/FT			
DOCUMENT CONTROL NUMBER UG-1-EN-001-FR-(111416)	ASTM D1056 2A2	SIZE A	DWG. NO. UG-1-TS-375-TP-001	REV A
SCALE: 1:1		DR. BY L. CLARK	DATE 11/22/16	SHEET 1 OF 1