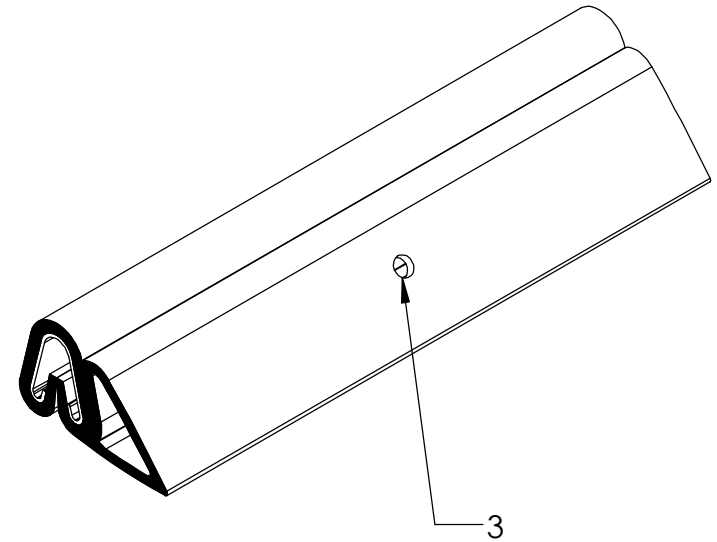
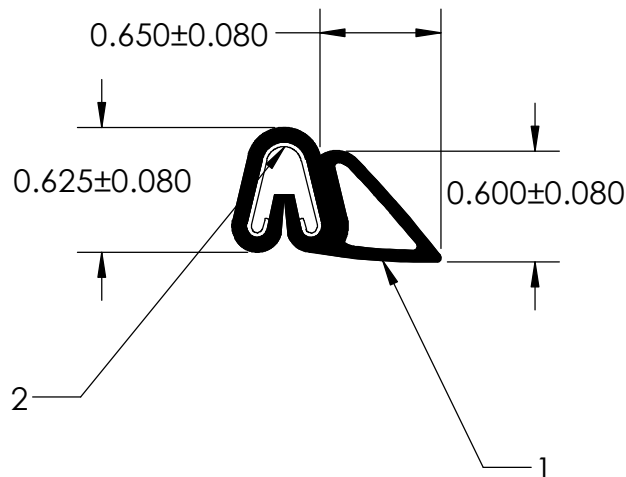


NOTES:

- 1) CLOSED CELL SPONGE RUBBER (DENSITY 0.505 G/CM³)
- 2) SD-487 SPRING STEEL (0.030 LB/FT)
- 3) 0.125" DIAMETER VENT HOLES 6"-10" SPACING



UNI-GRIP, INC.

9823 STATE ROUTE 53 N
UPPER SANDUSKY, OHIO 43351

PROPRIETARY AND CONFIDENTIAL: THE INFORMATION CONTAINED IN THIS DRAWING IS THE SOLE PROPERTY OF UNI-GRIP, INC. ANY REPRODUCTION IN PART OR AS A WHOLE WITHOUT THE WRITTEN PERMISSION OF UNI-GRIP, INC. IS PROHIBITED.	UNLESS OTHERWISE SPECIFIED: DIMENSIONS ARE IN INCHES TOLERANCES PER ARPM CLASS 3	TITLE:			
	WEIGHT 0.087 LB/FT	SD-216			
	ASTM D1056 2A3				
DOCUMENT CONTROL NUMBER UG-1-EN-001-FR-(111416)	ASTM D2000 N/A	SIZE A	DWG. NO. UG-1-BL-487-ST-011	REV A	
P:\Engineering\Prints\Bulb Seals\SD-216 UG-1-BL-487-ST-011		SCALE: 1:1	DR. BY L. CLARK	DATE 12/15/2016	SHEET 1 OF 1