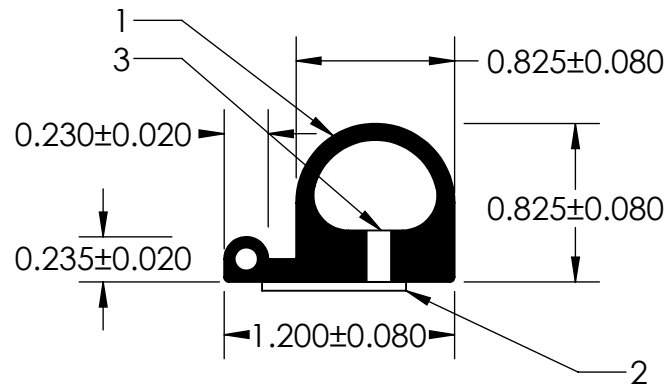
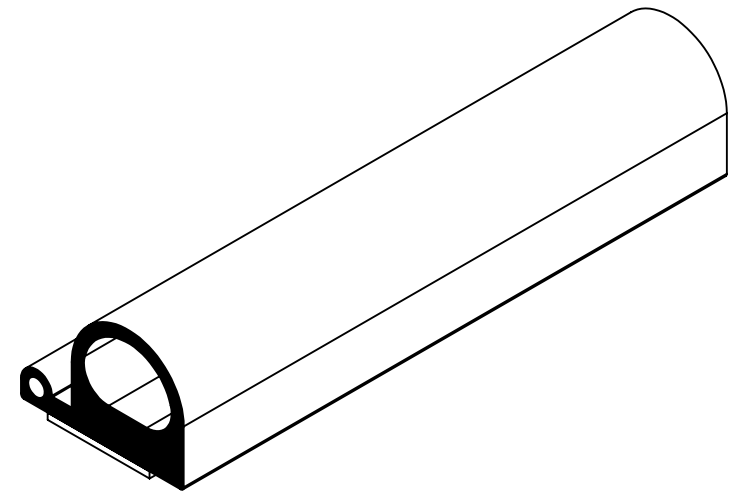


NOTES:

- 1) CLOSED CELL EPDM SPONGE RUBBER (0.750 G/CM<sup>3</sup>)
- 2) 3/4" ST-1200 3M HEAT ACTIVATED TAPE (0.016 LB/FT)
- 3) 1/8" VENT HOLE



**UNI-GRIP, INC.**

9823 STATE ROUTE 53 N  
UPPER SANDUSKY, OHIO 43351

REVISION BLOCK				PROPRIETARY AND CONFIDENTIAL:	UNLESS OTHERWISE SPECIFIED:	TITLE:				
REV.	DATE	R. By	CHANGES MADE	THE INFORMATION CONTAINED IN THIS DRAWING IS THE SOLE PROPERTY OF UNI-GRIP, INC. ANY REPRODUCTION IN PART OR AS A WHOLE WITHOUT THE WRITTEN PERMISSION OF UNI-GRIP, INC. IS PROHIBITED.	DIMENSIONS ARE IN INCHES TOLERANCES PER ARPM CLASS 3	SD-232-T				
A										
B					WEIGHT	0.180 LB/FT				
C					ASTM D1056	2A4				
D					ASTM D2000	N/A				
E				DOCUMENT CONTROL NUMBER UG-1-EN-001-FR-(080918)	SIZE					
P:\Engineering\Prints\Master Prints\Tape Seals\SD-232-T UG-1-TS-750-TP-189				SCALE:	1:1	DR. BY	C. VENT	DWG. NO.	UG-1-TS-750-TP-189	REV
								DATE	4/15/2021	SHEET 1 OF 1