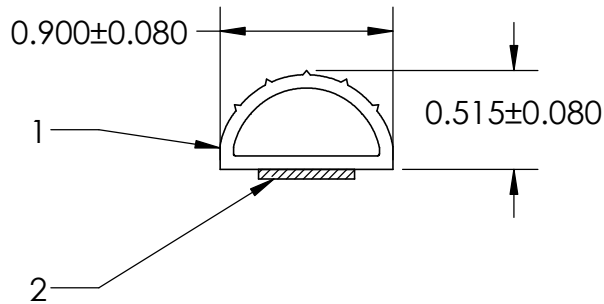
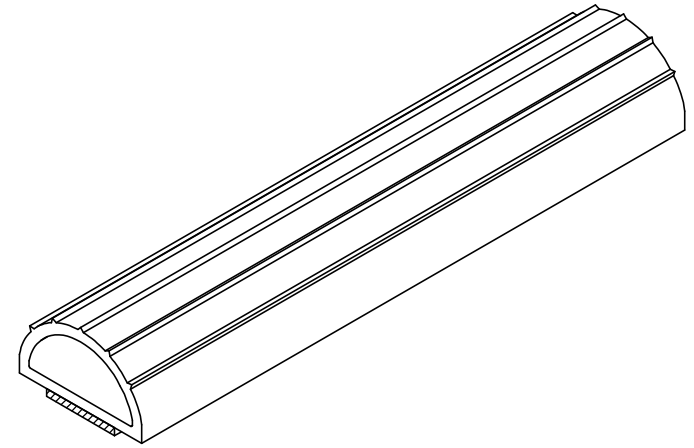


NOTES:

- 1) CLOSED CELL EPDM WHITE RUBBER (0.700 G/CM³)
- 2) 1/2" 3M ST-1200 HEAT ACTIVATED TAPE (0.010 LB/FT)



UNI-GRIP, INC.

9823 STATE ROUTE 53 N
UPPER SANDUSKY, OHIO 43351

PROPRIETARY AND CONFIDENTIAL: THE INFORMATION CONTAINED IN THIS DRAWING IS THE SOLE PROPERTY OF UNI-GRIP, INC. ANY REPRODUCTION IN PART OR AS A WHOLE WITHOUT THE WRITTEN PERMISSION OF UNI-GRIP, INC. IS PROHIBITED.		UNLESS OTHERWISE SPECIFIED: DIMENSIONS ARE IN INCHES TOLERANCES PER ARPM CLASS 3		TITLE: <p style="text-align: center; font-size: 1.2em;">SD-244-T-WT</p>		
DOCUMENT CONTROL NUMBER UG-1-EN-001-FR-(111416)		WEIGHT 0.057 LB/FT		DWG. NO. UG-1-TS-500-TP-085		
ASTM D1056 2A4		ASTM D2000 N/A		SIZE A	REV A	
P:\Engineering\Prints\Tape Seals\SD-244-T-WT UG-1-TS-500-TP-085				SCALE: 1:1	DR. BY C. VENT	
				DATE 6/15/2018	SHEET 1 OF 1	