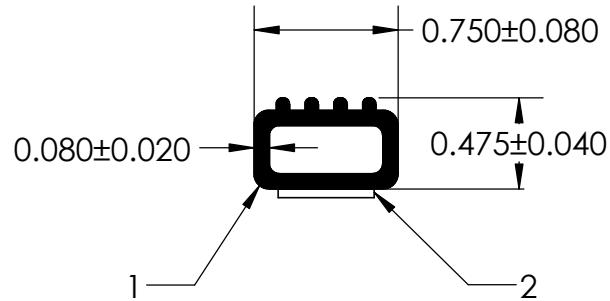
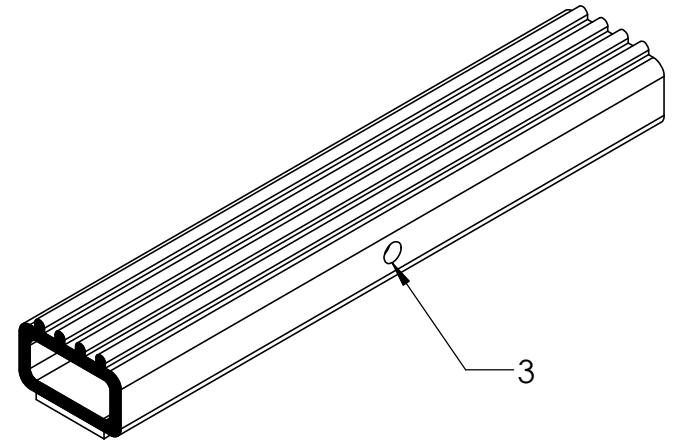


NOTES:

- 1) CLOSED CELL EPDM SPONGE RUBBER (0.725 G/CM³)
- 2) 1/2" PAPER TAPE (0.003 LB/FT)
- 3) DRAIN HOLES



UNI-GRIP, INC.

9823 STATE ROUTE 53 N
UPPER SANDUSKY, OHIO 43351

REVISION BLOCK				PROPRIETARY AND CONFIDENTIAL:	UNLESS OTHERWISE SPECIFIED:	TITLE:		
REV.	DATE	By	CHANGES MADE	THE INFORMATION CONTAINED IN THIS DRAWING IS THE SOLE PROPERTY OF UNI-GRIP, INC. ANY REPRODUCTION IN PART OR AS A WHOLE WITHOUT THE WRITTEN PERMISSION OF UNI-GRIP, INC. IS PROHIBITED.	DIMENSIONS ARE IN INCHES TOLERANCES PER ARPM CLASS 3	SD-301-PT		
A	08/09/18	GS	Added a revision block to template					
B					WEIGHT	0.053 LB/FT		
C					ASTM D1056	2A3		
D					DOCUMENT CONTROL NUMBER	ASTM D2000	N/A	
E				UG-1-EN-001-FR-(080918)	SCALE: 1:1			
P:\Engineering\Prints\Tape Seals\SD-301-T UG-1-TS-500-PT-097				DR. BY C. VENT		DATE	10/11/2018	SHEET 1 OF 1