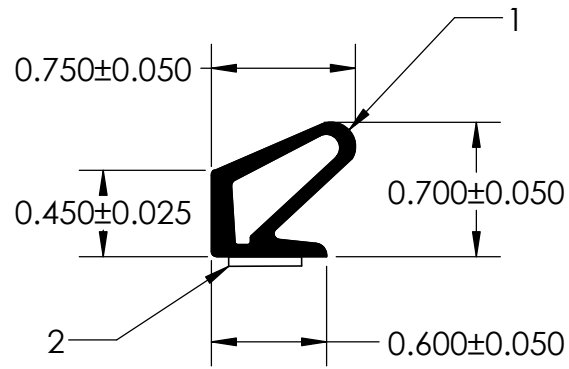
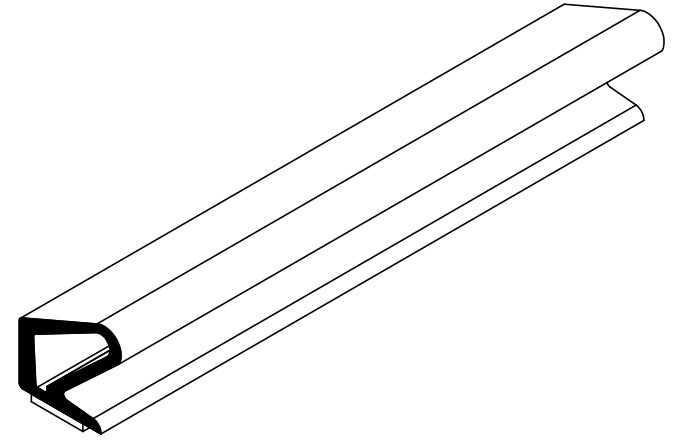


NOTES:

1) CLOSED CELL EPDM SPONGE RUBBER (0.750 G/CM³)

2) 3/8" ST-1200 3M HEAT ACTIVATED TAPE (0.006 LB/FT)



UNI-GRIP, INC.

9823 STATE ROUTE 53 N
UPPER SANDUSKY, OHIO 43351

REVISION BLOCK				PROPRIETARY AND CONFIDENTIAL:	UNLESS OTHERWISE SPECIFIED:	TITLE:		
REV.	DATE	REVIEWED BY	CHANGES MADE	THE INFORMATION CONTAINED IN THIS DRAWING IS THE SOLE PROPERTY OF UNI-GRIP, INC. ANY REPRODUCTION IN PART OR AS A WHOLE WITHOUT THE WRITTEN PERMISSION OF UNI-GRIP, INC. IS PROHIBITED.	DIMENSIONS ARE IN INCHES TOLERANCES PER ARPM CLASS 3	SD-354-T		
A	7/8/20	G.S.	REMOVED THE I					
B					WEIGHT	0.068 LB/FT		
C					ASTM D1056	2A4		
D					DOCUMENT CONTROL NUMBER	ASTM D2000	N/A	
E				UG-1-EN-001-FR-(103018)	SCALE: 1:1			
P:\Engineering\Prints\Tape Seals\SD-354-IT UG-1-TS-375-TP-109				DR. BY C. VENT		DATE	3/25/2019	SHEET 1 OF 1