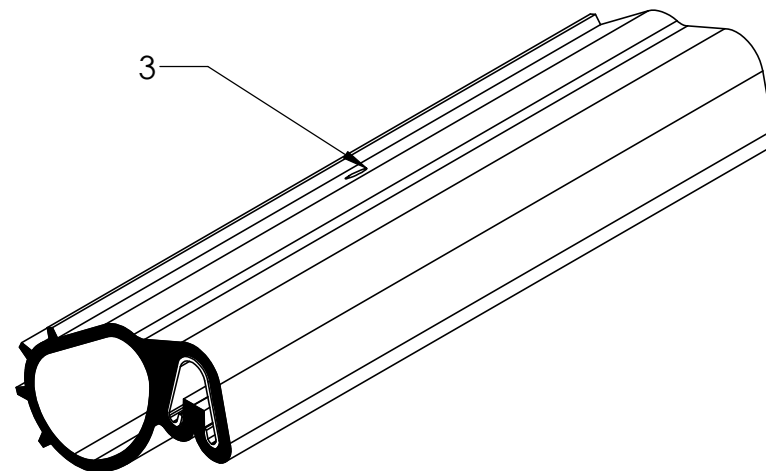
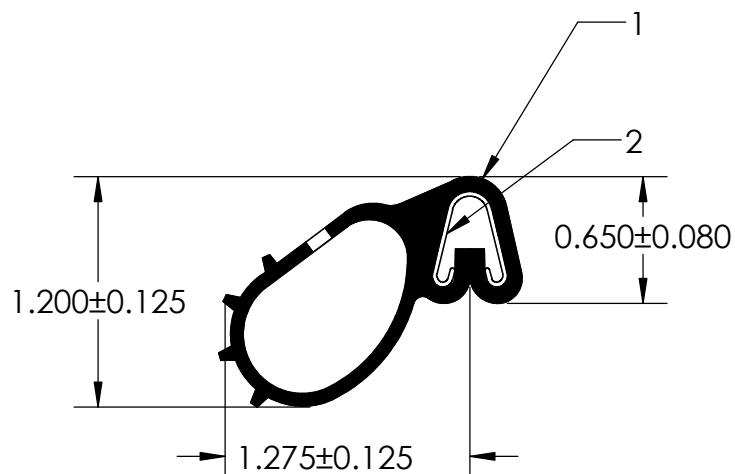


NOTES:

1) CLOSED CELL EPDM WHITE SPONGE RUBBER (0.700 G/CM³)

2) SD-487 SPRING STEEL CARRIER (0.030 LB/FT)

3) .125" VENT HOLE



UNI-GRIP, INC.

9823 STATE ROUTE 53 N
UPPER SANDUSKY, OHIO 43351

REVISION BLOCK				PROPRIETARY AND CONFIDENTIAL:	UNLESS OTHERWISE SPECIFIED:	TITLE:				
REV.	DATE	REVIEWED BY	CHANGES MADE	THE INFORMATION CONTAINED IN THIS DRAWING IS THE SOLE PROPERTY OF UNI-GRIP, INC. ANY REPRODUCTION IN PART OR AS A WHOLE WITHOUT THE WRITTEN PERMISSION OF UNI-GRIP, INC. IS PROHIBITED.	DIMENSIONS ARE IN INCHES TOLERANCES PER ARPM CLASS 3	SD-600 W				
A										
B					WEIGHT	0.150 LB/FT				
C					ASTM D1056	2A4				
D					DOCUMENT CONTROL NUMBER	ASTM D2000	N/A			
E				UG-1-EN-001-FR-(103018)						
P:\Engineering\Prints\Bulb Seal\SD-600 W UG-1-BL-487-ST-069				SCALE:	1:1	DR. BY	C. VENT	DATE	7/23/2019	SHEET 1 OF 1

5

4

3

2

1