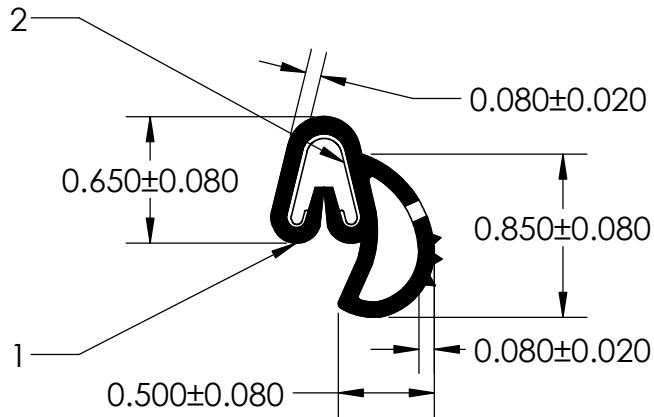
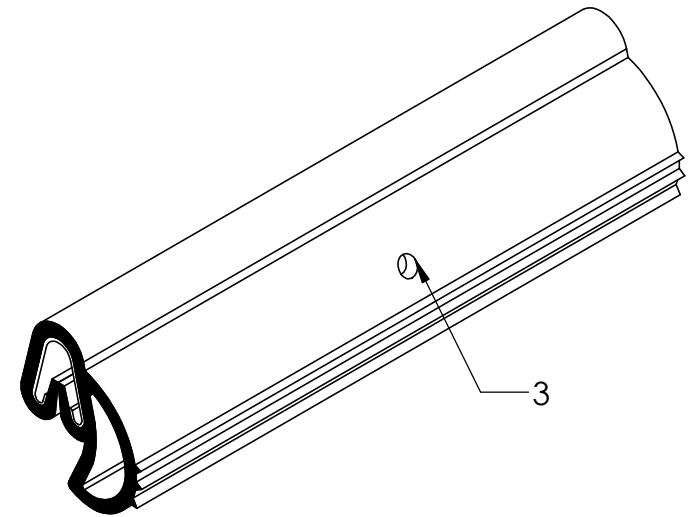


NOTES:

- 1) CLOSED CELL EPDM SPONGE RUBBER (0.750 G/CM³)
- 2) SD-487 SPRING STEEL CARRIER (0.030 LB/FT)
- 3) VENT HOLES



UNI-GRIP, INC.

9823 STATE ROUTE 53 N
UPPER SANDUSKY, OHIO 43351

REVISION BLOCK				PROPRIETARY AND CONFIDENTIAL:	UNLESS OTHERWISE SPECIFIED:	TITLE:					
REV.	DATE	REVIEWED BY	CHANGES MADE	THE INFORMATION CONTAINED IN THIS DRAWING IS THE SOLE PROPERTY OF UNI-GRIP, INC. ANY REPRODUCTION IN PART OR AS A WHOLE WITHOUT THE WRITTEN PERMISSION OF UNI-GRIP, INC. IS PROHIBITED.	DIMENSIONS ARE IN INCHES TOLERANCES PER ARPM CLASS 3	SD-602					
A											
B					WEIGHT	0.131 LB/FT					
C					ASTM D1056	2A4					
D					DOCUMENT CONTROL NUMBER	ASTM D2000	N/A				
E				UG-1-EN-001-FR-(103018)	SCALE: 1:1						
P:\Engineering\Prints\Bulb Seals\SD-602 UG-1-BL-487-ST-081				SCALE: 1:1		DR. BY	C. VENT	DATE	3/9/2020	SHEET 1 OF 1	
						SIZE	A	DWG. NO.	UG-1-BL-487-ST-081	REV	A