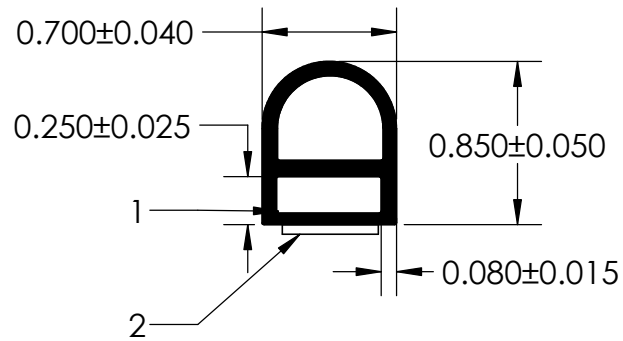
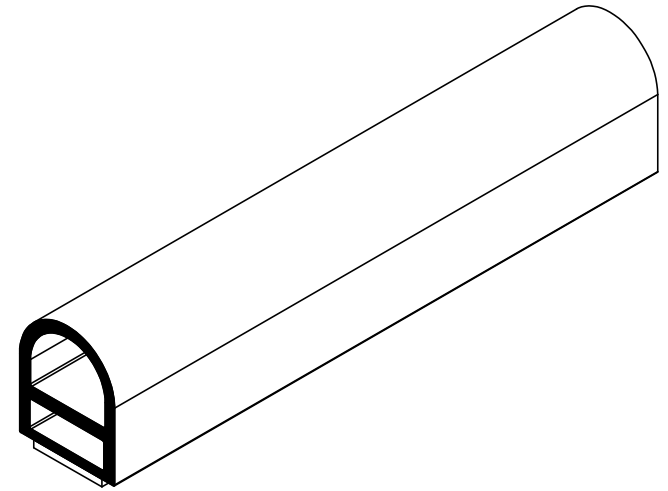


NOTES:

- 1) CLOSED CELL EPDM SPONGE RUBBER (0.750 G/CM³)
- 2) 1/2" 3M ST-1200 HEAT ACTIVATED TAPE (0.010 LB/FT)



UNI-GRIP, INC.

9823 STATE ROUTE 53 N
UPPER SANDUSKY, OHIO 43351

REVISION BLOCK				PROPRIETARY AND CONFIDENTIAL:	UNLESS OTHERWISE SPECIFIED:	TITLE:			
REV.	DATE	APPROVED BY	CHANGES MADE	THE INFORMATION CONTAINED IN THIS DRAWING IS THE SOLE PROPERTY OF UNI-GRIP, INC. ANY REPRODUCTION IN PART OR AS A WHOLE WITHOUT THE WRITTEN PERMISSION OF UNI-GRIP, INC. IS PROHIBITED.	DIMENSIONS ARE IN INCHES TOLERANCES PER ARPM CLASS 3	SD-630-T			
A					WEIGHT				0.084 LB/FT <th>SIZE</th> <th>DWG. NO.</th> <th>REV</th>
B					DOCUMENT CONTROL NUMBER	ASTM D1056 2A2 <td>A</td> <td>UG-1-TS-500-TP-089</td> <td>A</td>	A	UG-1-TS-500-TP-089	A
C					UG-1-EN-001-FR-(111416) <td>ASTM D2000 N/A <td>DR. BY</td> <td>C. VENT</td> <td>DATE</td> </td>	ASTM D2000 N/A <td>DR. BY</td> <td>C. VENT</td> <td>DATE</td>	DR. BY	C. VENT	DATE
D						SCALE: 1:1		8/30/2018	SHEET 1 OF 1
E									

P:\Engineering\Prints\Tape Seals\SD-630-T UG-1-TS-500-TP-089