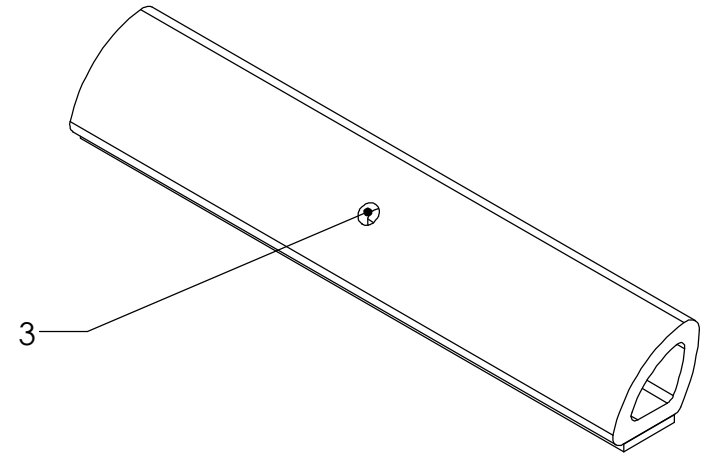
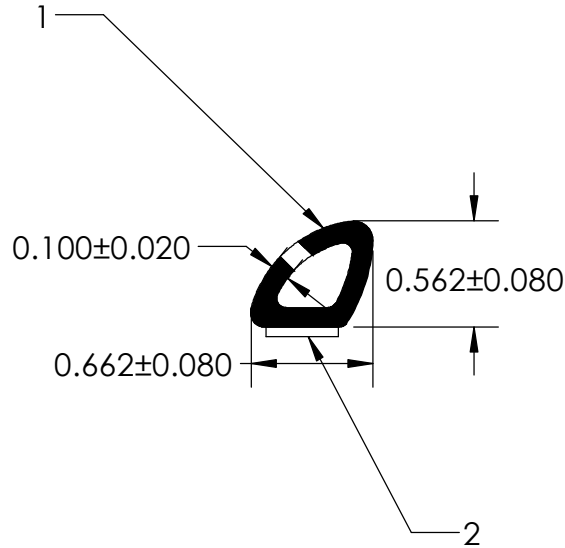


NOTES:

- 1) CLOSED CELL SPONGE RUBBER (DENSITY 0.725 G/CM³)
- 2) 3/8" 3M ST-1200 HEAT ACTIVATED TAPE (0.006 LB/FT)
- 3) 0.125" VENT HOLES 6"-10" SPACING



UNI-GRIP, INC.

9823 STATE ROUTE 53 N
UPPER SANDUSKY, OHIO 43351

PROPRIETARY AND CONFIDENTIAL: THE INFORMATION CONTAINED IN THIS DRAWING IS THE SOLE PROPERTY OF UNI-GRIP, INC. ANY REPRODUCTION IN PART OR AS A WHOLE WITHOUT THE WRITTEN PERMISSION OF UNI-GRIP, INC. IS PROHIBITED.	UNLESS OTHERWISE SPECIFIED:	TITLE:	
	DIMENSIONS ARE IN INCHES TOLERANCES PER ARPM CLASS 3	SD-712-T	
	WEIGHT 0.058 LB/FT	SIZE A	DWG. NO. UG-1-TS-375-TP-003
DOCUMENT CONTROL NUMBER UG-1-EN-001-FR-(111416)	ASTM D1056 2A3		
	ASTM D2000 N/A	DR. BY L. CLARK	DATE 12/12/2016
P:\Engineering\Prints\Tape Seals\SD-712-T UG-1-TS-375-TP-003		SCALE: 1:1	SHEET 1 OF 1