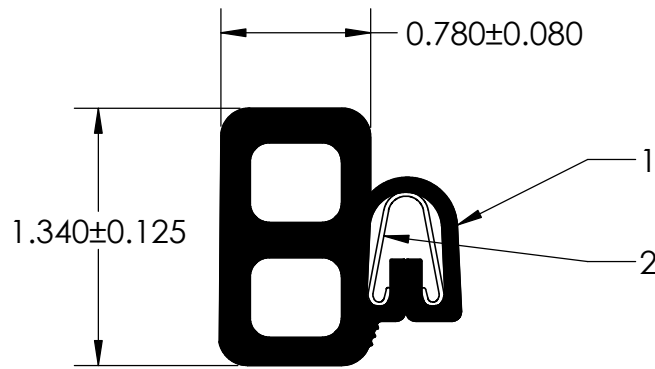
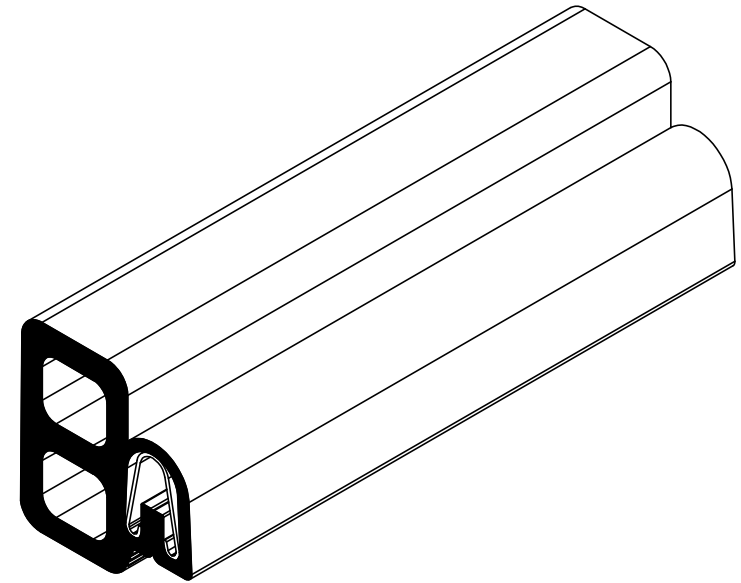


NOTES:

- 1) CLOSED CELL EPDM SPONGE RUBBER (0.750 G/CM³)
- 2) 500L SPRING STEEL CARRIER (0.035 LB/FT)



UNI-GRIP, INC.

9823 STATE ROUTE 53 N
UPPER SANDUSKY, OHIO 43351

REVISION BLOCK				PROPRIETARY AND CONFIDENTIAL:	UNLESS OTHERWISE SPECIFIED:	TITLE:								
REV.	DATE	REVIEWED BY	CHANGES MADE	THE INFORMATION CONTAINED IN THIS DRAWING IS THE SOLE PROPERTY OF UNI-GRIP, INC. ANY REPRODUCTION IN PART OR AS A WHOLE WITHOUT THE WRITTEN PERMISSION OF UNI-GRIP, INC. IS PROHIBITED.	DIMENSIONS ARE IN INCHES TOLERANCES PER ARPM CLASS 3	SD-750 WHITE								
A														
B					WEIGHT	<table border="1"> <tr> <td>SIZE</td> <td>DWG. NO.</td> <td>REV</td> </tr> <tr> <td>A</td> <td>UG-1-BL-500-ST-077</td> <td>A</td> </tr> </table>			SIZE	DWG. NO.	REV	A	UG-1-BL-500-ST-077	A
SIZE	DWG. NO.	REV												
A	UG-1-BL-500-ST-077	A												
C				ASTM D1056	2A4									
D				DOCUMENT CONTROL NUMBER	ASTM D2000	N/A								
E				UG-1-EN-001-FR-(103018)										
P:\Engineering\Prints\Bulb Seals\SD-750 W UG-1-BL-500-ST-077				SCALE:	1:1	DR. BY	C. VENT	DATE	10/4/2019	SHEET 1 OF 1				