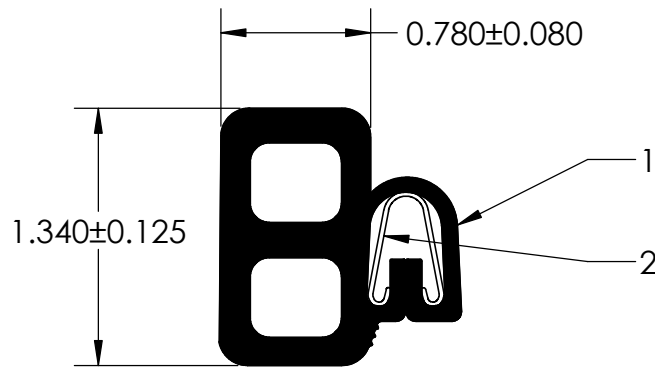
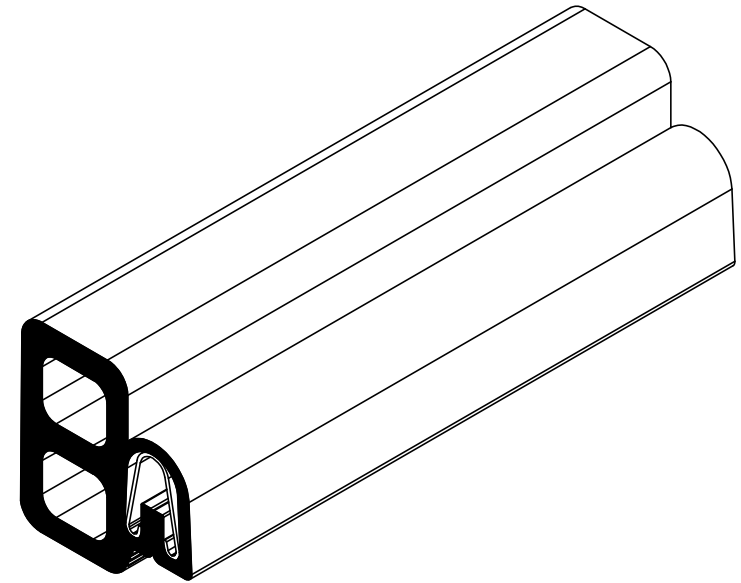


NOTES:

1) CLOSED CELL EPDM SPONGE RUBBER (0.750 G/CM³)

2) 500L SPRING STEEL CARRIER (0.035 LB/FT)



UNI-GRIP, INC.

9823 STATE ROUTE 53 N
UPPER SANDUSKY, OHIO 43351

REVISION BLOCK				PROPRIETARY AND CONFIDENTIAL:	UNLESS OTHERWISE SPECIFIED:	TITLE:				
REV.	DATE	REVIEWED BY	CHANGES MADE	THE INFORMATION CONTAINED IN THIS DRAWING IS THE SOLE PROPERTY OF UNI-GRIP, INC. ANY REPRODUCTION IN PART OR AS A WHOLE WITHOUT THE WRITTEN PERMISSION OF UNI-GRIP, INC. IS PROHIBITED.	DIMENSIONS ARE IN INCHES TOLERANCES PER ARPM CLASS 3	SD-750				
A					WEIGHT 0.315 LB/FT					
B					ASTM D1056 2A4	SIZE A	DWG. NO. UG-1-BL-500-ST-073	REV A		
C					DOCUMENT CONTROL NUMBER UG-1-EN-001-FR-(103018)	ASTM D2000 N/A				
D										
E										
P:\Engineering\Prints\Bulb Seals\SD-750 UG-1-BL-500-ST-073				SCALE:	1:1	DR. BY	C. VENT	DATE	10/4/2019	SHEET 1 OF 1